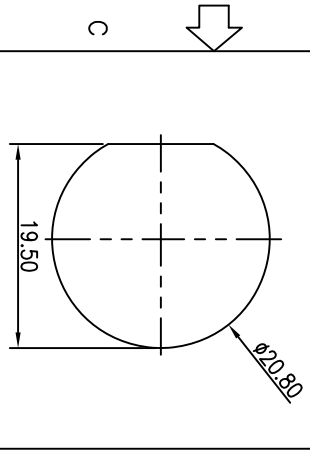
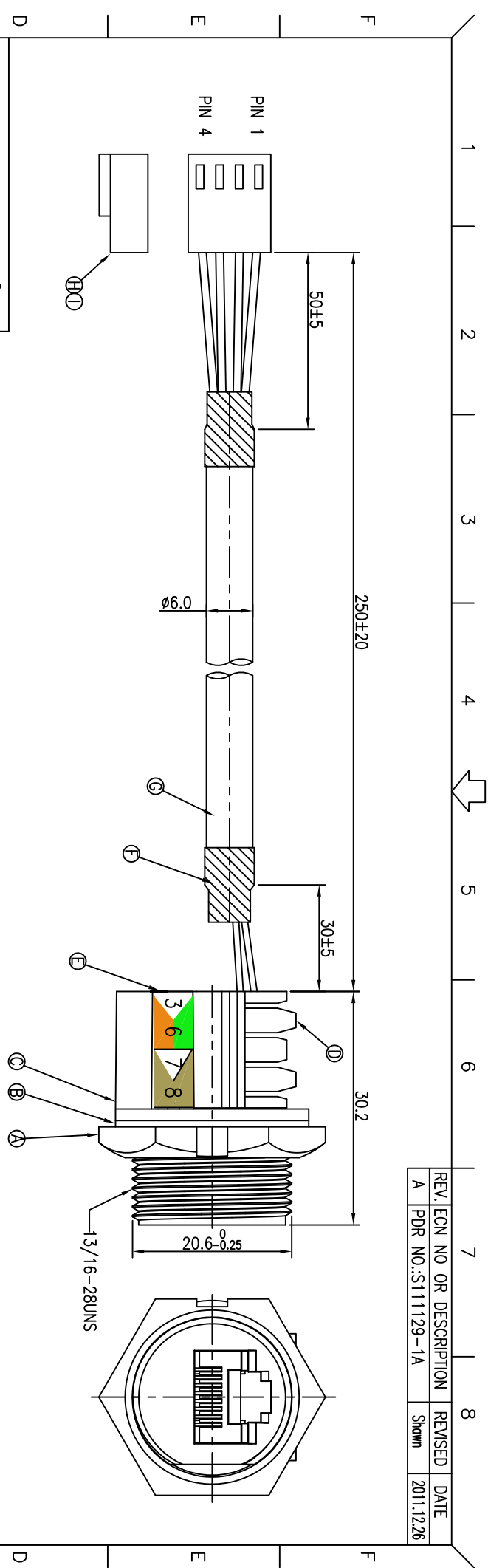
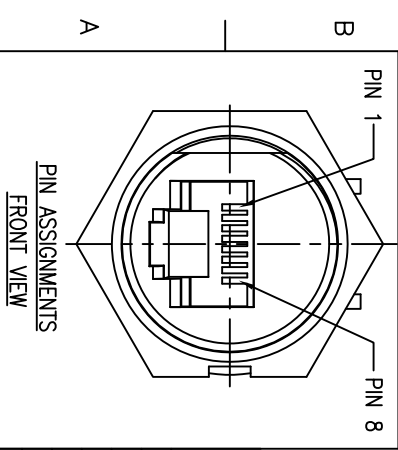


REV. ECN NO OR DESCRIPTION	REVISED DATE
A PDR NO.:S111129-1A	Shown 2011.12.26



- NOTES:
1. WATERPROOF RATE: IP67(WHEN PROPERLY MATED)  
IP67: IMMERSED IN 1M WATER FOR 30 MINUTES
  2. RATING:125V 1.5A
  3. OTHER GENERAL SPEC. TO REFER "RJ45 SERIES SPEC".
  4. TO CONFORM TO SINGATRON HAZARDOUS SUBSTANCE FREE SPEC.
  5. GREEN PRODUCT IDENTIFICATION LABEL ON PACKAGING: GR-TRASS
  6. FOR PANEL THICKNESS MAX OF 3.5mm



4	WHITE/BROWN	1	
3	BLUE/WHITE	4	TWIST
2	BLUE	5	TWIST
1	BROWN	8	
HOUSING WIRE COLOR		CONN	

PIN OUT

I	TERMINAL	4	P/N:4TRJMOX-0050291	TIN PLATED
H	HOUSING	1	P/N:4HSMOX-0101120	WHITE
G	CABEL	1	CAT5E FTP 24#*4P+M+D +A/M OD=φ6.0	BLACK(PVC JACKET)
F	HEAT SHRINK TUBE	2	125' 300V L=10mm	BLACK
E	LABEL	1	P/N:4TJ3003-W0000F	N/A
D	PCB	1	P/N:4TJ3003-W0000P	N/A
C	CLIP SOCKET	1	PPE	BLACK
B	GASKET	1	EPDM	BLACK
A	NUT	1	PPE	BLACK
NO	DESCRIPTION	QTY	MATERIAL	PLATING & COLOR
UNLESS OTHERWISE SPECIFIED TOLERANCES				
Singatron Enterprise Co., Ltd. 信亨企業股份有限公司				
DECIMALS: ANGLES:				
X	:±0.5	X	:±2°	
X.X	:±0.3	X.X	:±1'	
X:XX	:±0.2			
TITLE: RJ45 KEYSTONE SOCKET				
DWN	Shawn	PART NO.	2TJ3003-W05127H	
CHKD	Harlen	SCALE	2:1	UNIT: mm
APVD	Tony	SIZE: A3	SHEET: 1 OF 1	REV: A

CUSTOMER COPY