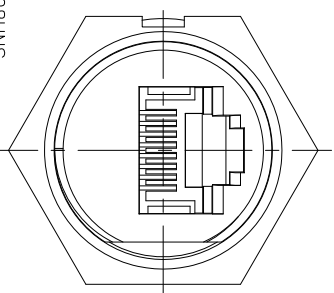
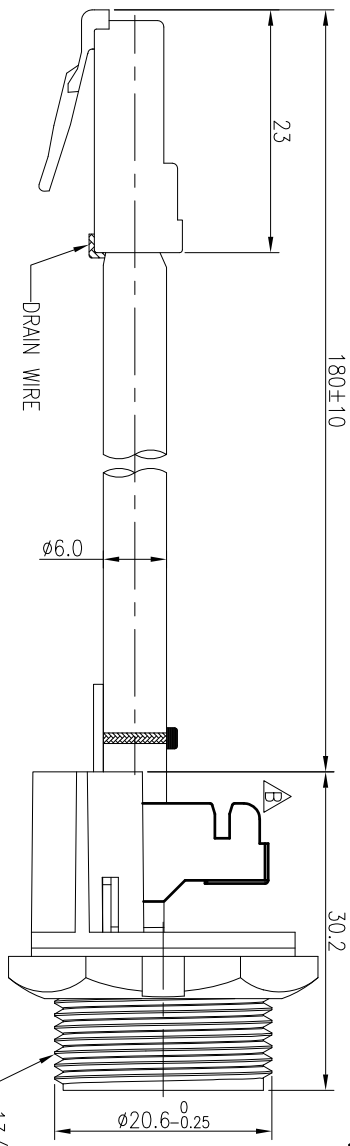
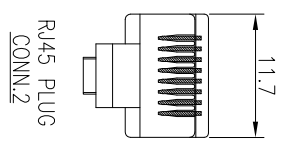
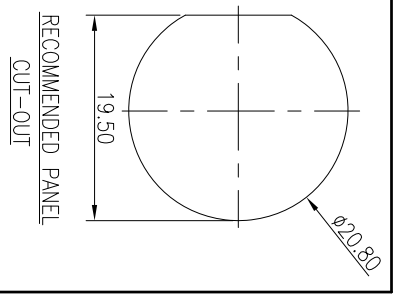
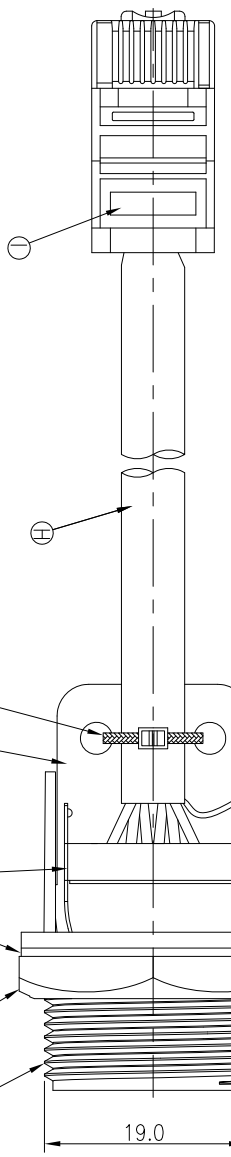


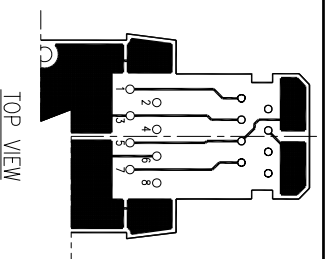
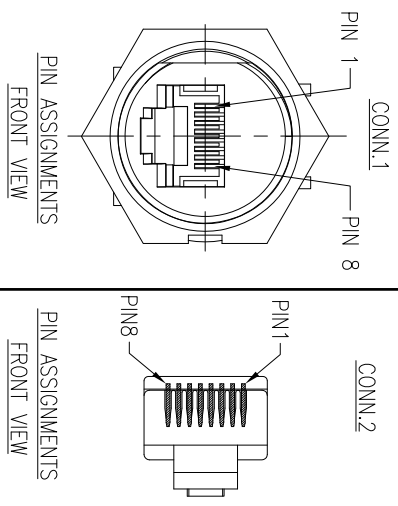
REV.	ECN NO OR DESCRIPTION	REVISED	DATE
A	PDR NO.:S120309-9A	Shown	2012.03.28
B	ECN NO.:S120402	Shown	2012.04.06



WATERPROOF RATE: IP67



- NOTES:
1. WATERPROOF RATE: IP67(WHEN PROPERLY MATED)
 2. RATING: 125V 1.5A
 3. OTHER GENERAL SPEC. TO REFER "RJ45 SERIES SPEC."
 4. TO CONFORM TO SINGATRON HAZARDOUS SUBSTANCE FREE SPEC.
 5. GREEN PRODUCT IDENTIFICATION LABEL ON PACKAGING: **GR-PASS**
 6. FOR PANEL THICKNESS MAX OF 3.5mm



SHIELD	DRAIN	SHIELD
8	ORANGE/WHITE	8
7	ORANGE	7
6	GREEN/WHITE	6
5	BLUE	5
4	BLUE/WHITE	4
3	GREEN	3
2	BROWN/WHITE	2
1	BROWN	1
PCB	WIRE COLOR	CONN.2

NO	DESCRIPTION	QTY	MATERIAL	PLATING & COLOR
I	RJ45 PLUG	1	8P8C SHIELD	GOLD PLATING
H	CABEL	1	CAT5E FTP 24#*4P+MY+D +A/M UV RESISTANT	BLACK(PVC JACKET)
G	CABLE TIES	1	NYLON	BLACK
F	CRJ45	1	N/A	GOLD PLATING 6u"MIN
E	PCB	1	FR-4	GREEN
D	GROUND	1	Phosphor Bronze	NICKEL PLATING 60u"
C	GASKET	1	EPDM	BLACK
B	NUT	1	PPE	BLACK
A	HOUSING	1	PPE	BLACK
NO	DESCRIPTION	QTY	MATERIAL	PLATING & COLOR

UNLESS OTHERWISE SPECIFIED TOLERANCES

Singatron Enterprise Co., Ltd.
信亨企業股份有限公司

DECIMALS: ANGLES:

X : ±0.5 X : ±.2
X.X : ±0.3 X.X : ±.1
X.XX : ±0.2

TITLE: RJ45 SHIELDED JACK + PLUG
PART NO.:2JT3003-W05138H
SCALE 2:1 UNIT: mm
SIZE: A3 SHEET:1 OF 1 REV: B

CUSTOMER COPY

