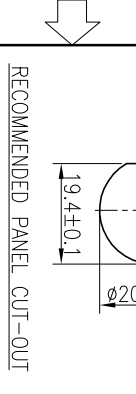
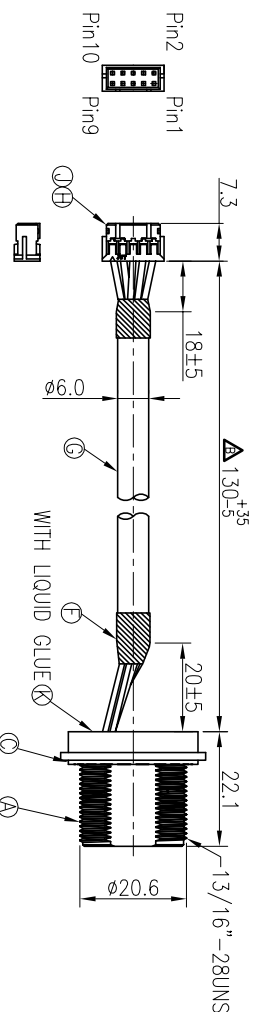
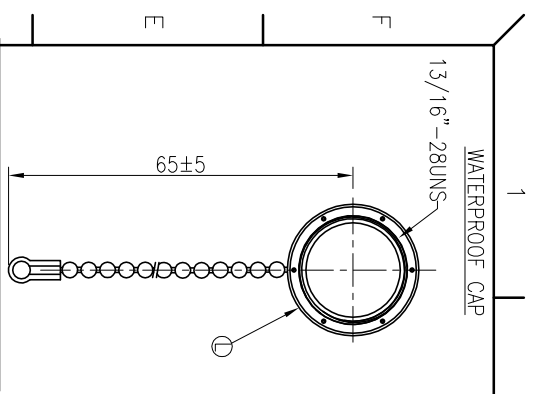
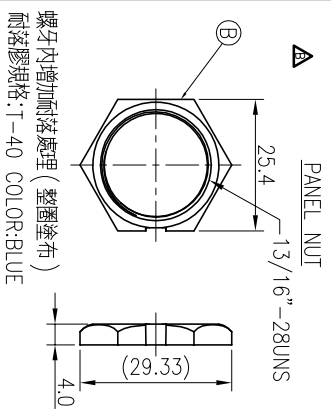
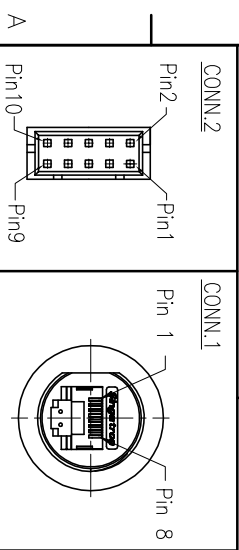


REV.	ECN NO.	OR DESCRIPTION	REVISED	DATE
A	PDR NO.:T121012-5A		JF	2013.06.20
B	ECN NO.:S130711		JF	2013.08.21
C	ECN NO.: S202006-P02		JAY	2020.11.25

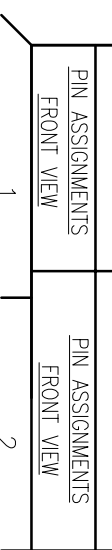


RECOMMENDED PANEL CUT-OUT	
10	BROWN
8	BROWN/WHITE
4	GREEN
9	BLUE/WHITE
7	BLUE
2	GREEN/WHITE
3	ORANGE
1	ORANGE/WHITE



- NOTES:
1. WATERPROOF RATE: IP67
 2. RATING: 125V 1.5A
 3. OPERATING TEMPERATURE: -40°C TO +85°C (PANEL).
 4. SPECIFICATIONS: SEE "RJ45 SERIES SPEC".
 5. TO CONFORM TO SINGATRON HAZARDOUS SUBSTANCE FREE SPEC.
 6. GREEN PRODUCT IDENTIFICATION LABEL ON PACKAGING.
 7. FOR PANEL THICKNESS MAX: 6.0mm
 8. DEFINE PIN ASSIGNMENT BY CUSTOMER REQUIREMENT

G.P. PASS



PIN ASSIGNMENTS	
CONN.2	CONN.1
Pin 2	Pin 1
Pin 10	Pin 8
Pin 9	

NO	DESCRIPTION	QTY	MATERIAL	PLATING & COLOR
L	WATERPROOF CAP	1	P/N:2UB3001-W0005WH	N/A
K	LIQUID GLUE	1	SILICON	BLACK
J	TERMINAL	10	PHOSPHOR BRONZE	TIN-PLATED
H	HOUSING	1	NYLON 66 UL 94V-0	WHITE
G	CABEL	1	CAT5E FTP 24#*4P+MM +D+4/M UV RESISTANT	BLACK(PVC JACKET)
F	TUBE	2	ø8.0 L=15mm	BLACK
E	SCREW	1	STAINLESS STEEL	N/A
D	CAT.5e	1	N/A	30u" GOLD PLATED
C	GASKET	1	SILICONE SHORE A 70'	BLACK
B	PANEL NUT	1	BRASS C3604	120u" NICKEL PLATED
A	BODY	1	ZINC ALLOY	120u" NICKEL PLATED

Singatron Enterprise Co., Ltd.
信登企業股份有限公司

UNLESS OTHERWISE SPECIFIED TOLERANCES	
DECIMALS:	ANGLES:
X :±0.5	X :±2°
XX :±0.3	XX :±1°
XXX :±0.2	

TITLE	PART NO.	SCALE	SHEET	REV.
WATERPROOF RJ45 JACK TO CONNECTOR	27J3003-W05149H	1:1	1 OF 1	C