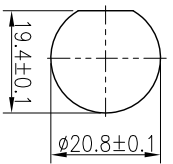
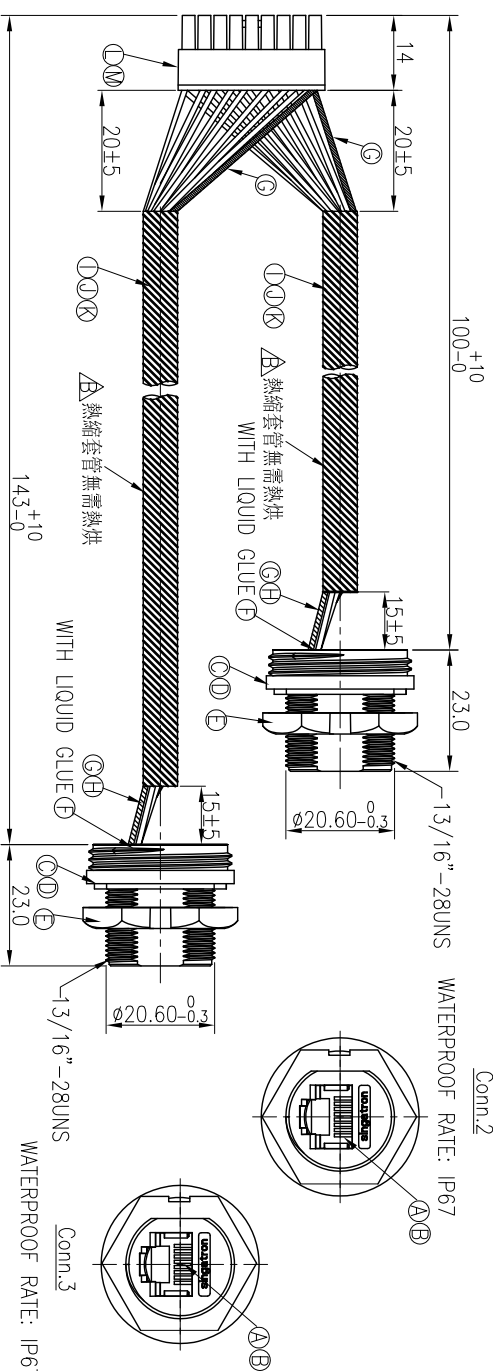
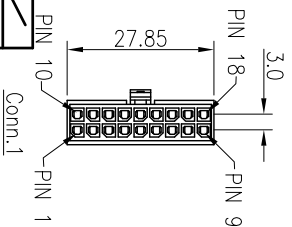


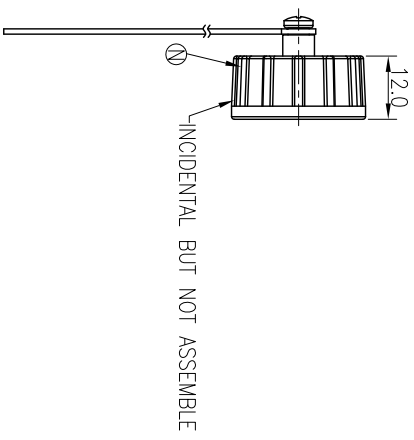
REV.	ECN NO OR DESCRIPTION	REVISED	DATE
A	PDR NO.:S130403-3A	LILY	2013.07.05
B	ECN NO.:S140327	Susie	2014.03.19



RECOMMENDED PANEL CUT-OUT

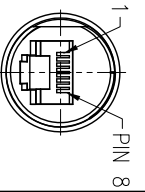


Pin	Color	Shield
18	DRAIN	SHIELD
17	ORANGE	8
16	WHITE	7
15	BLUE	6
14	GREEN	5
13	BROWN	4
12	YELLOW	3
11	RED	2
10	BLACK	1
9	DRAIN	SHIELD
8	ORANGE	8
7	WHITE	7
6	BLUE	6
5	GREEN	5
4	BROWN	4
3	YELLOW	3
2	RED	2
1	BLACK	1
CONN.1	WIRE COLOR	CONN.2(CONN.3)
PIN OUT		



NOTES:

1. WATERPROOF RATE: IP67
IP67: IMMERSED IN 1M WATER FOR 30 MINUTES
2. RATING:125V 1.5A
3. OTHER GENERAL SPEC. TO REFER "RJ45 SERIES SPEC."
4. TO CONFORM TO SINGATRON HAZARDOUS SUBSTANCE FREE SPEC.
5. GREEN PRODUCT IDENTIFICATION LABEL ON PACKAGING: **G.P. PASS**
6. FOR PANEL THICKNESS MAX OF 3.5mm
7. CUSTOMER PART NO. 274-20043-00



PIN ASSIGNMENTS FRONT VIEW

NO	DESCRIPTION	QTY	MATERIAL	PLATING & COLOR
N	WATERPROOF CAP	2	P/N:2UB3001-W0000W	BLACK
M	TERMINAL	18	P/N:TU3086TP0-A	TIN-PLATED
L	HOUSING	1	P/N:TU3085HNO-2*09	BLACK
K	SHINK TUBE	2	Ø8.0 125°C 600V	BLACK
J	CONDUCTIVE FABRIC	2	W10	GREY
I	WIRE	16	UL1430 24AWG	SEE TABLE
H	WIRE	2	24AWG CONDUCTOR	TIN-PLATED
G	SHINK TUBE	4	Ø1.0 125°C 300V	BLACK
F	LIQUID GLUE	2	N/A	BLACK
E	NUT	2	PPE	BLACK
D	GASKET	2	EPDM	BLACK
C	BODY	2	NYLON	BLACK
B	RJ45	2	N/A	GOLD PLATING 6u"MIN
A	GROUND	4	BRASS	NICKEL PLATING 60u"
UNLESS OTHERWISE SPECIFIED TOLERANCES				
DECIMALS:	ANGLES:			
X :±0.5	X :±2°			
X.X :±0.3	X.X :±1°			
X.XX :±0.2				

Singatron Enterprise Co., Ltd.
信晉企業股份有限公司

RJ45 SHIELDED JACK

PART NO.27J3003-W05156H

SCALE 1:1 UNIT: mm

CUSTOMER COPY