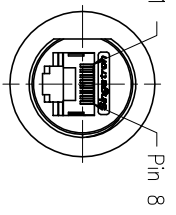
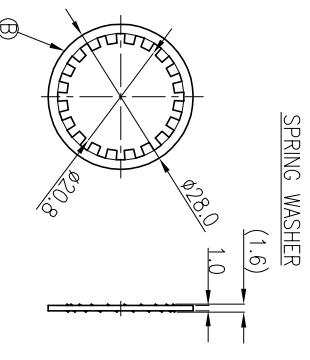
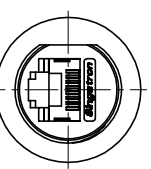
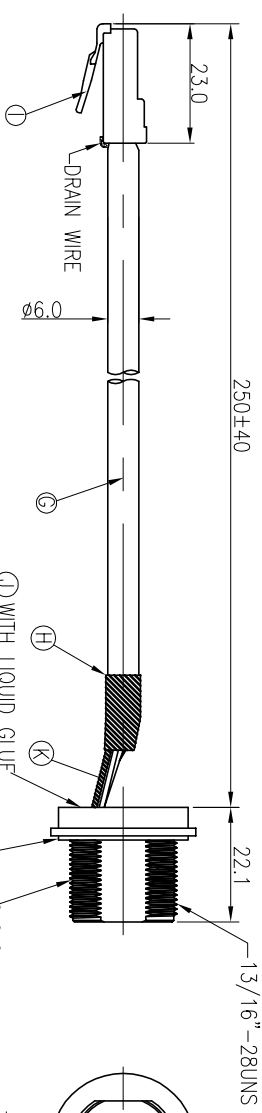
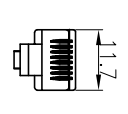
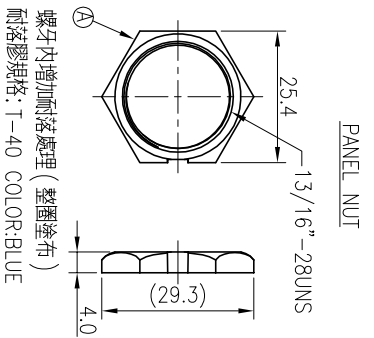


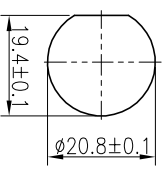
REV.	ECN NO.	OR DESCRIPTION	REVISED	DATE
A	PDR NO.:S141029-10A	Yang-Hu	2015.01.13	
B	ECN NO.: S202006-P02	JAY	2020.11.25	



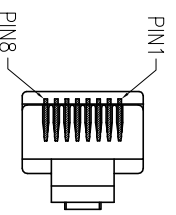
PIN ASSIGNMENTS
FRONT VIEW

- NOTES:
1. WATERPROOF RATE: IP67
IP67: IMMERSED IN 1M WATER FOR 30 MINUTES
 2. RATING:125V 1.5A
 3. OTHER GENERAL SPEC. TO REFER "RJ45 SERIES SPEC".
 4. TO CONFORM TO SINGATRON HAZARDOUS SUBSTANCE FREE SPEC.
 5. GREEN PRODUCT IDENTIFICATION LABEL ON PACKAGING: **G.P. PASS**
 6. FOR PANEL THICKNESS MAX OF 4.3mm

G.P. PASS



RECOMMENDED PANEL
CUT-OUT



PIN ASSIGNMENTS
FRONT VIEW

SHIELD	DRAIN	SHIELD
8	BROWN	8
7	BROWN/WHITE	7
6	GREEN	6
5	BLUE/WHITE	5
4	BLUE	4
3	GREEN/WHITE	3
2	ORANGE	2
1	ORANGE/WHITE	1
CONN.2	WIRE COLOR	CONN.1

K	SHRINK TUBE	1	125°C 300V	BLACK
J	LIQUID GLUE	1	N/A	BLACK
I	RJ45 PLUG	1	8P8C SHIELD	GOLD PLATING
H	SHRINK TUBE	1	Ø6.0 125°C 300V	BLACK
G	CABLE	1	CAT5E FTP 24#*4P+MY +D+A/M UV RESISTANT	BLACK(PVC JACKET)
F	GASKET	1	EPDM	BLACK
E	CA1.5g	1	N/A	GOLD PLATED
D	SCREW	1	STAINLESS STEEL	N/A
C	BODY	1	ZINC ALLOY	NICKEL PLATED
B	SPRING WASHER	1	SUS304	N/A
A	PANEL NUT	1	BRASS C3604	NICKEL PLATED
NO	DESCRIPTION	QTY	MATERIAL	PLATING & COLOR

UNLESS OTHERWISE SPECIFIED TOLERANCES

DECIMALS: ANGLES:

X : ±0.5 X : ±2°
X.X : ±0.3 X.X : ±1°
X.XX : ±0.2

Singatron Enterprise Co., Ltd.
信登企業股份有限公司

RJ45 KEYSTONE JACK SOCKET+CABLE

DWN JAY PART NO.:27J3003-W05164H
CHKD Cherry SCALE 1:1 UNIT: mm
APVD William SIZE: A3 SHEET:1 OF 1 REV: B

CUSTOMER COPY