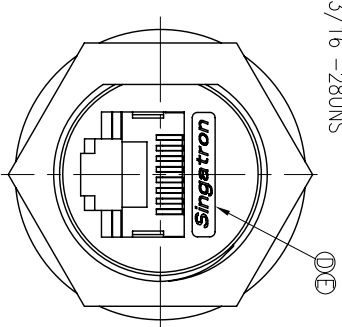
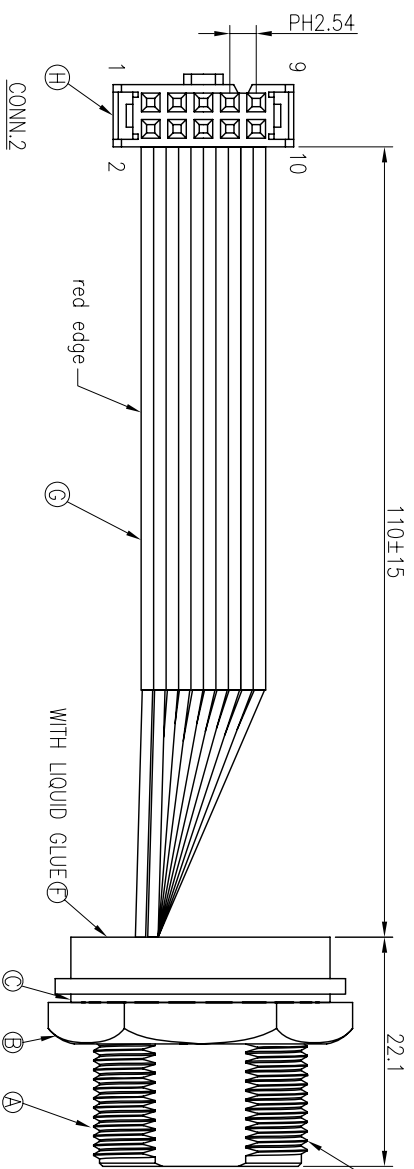
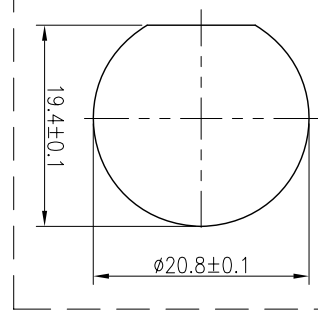
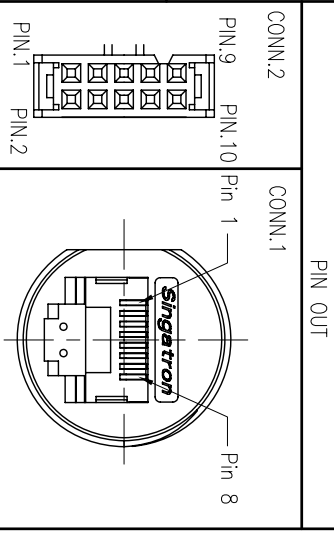


REV.	ECN NO. OR DESCRIPTION	REVISED	DATE
A	PDR NO.:T131231-1A	JF	2014.05.04



CONN. 2	WIRE COLOR	CONN. 1
1	RED	
2	GREY	SHIELD
3	GREY	
4	GREY	
5	GREY	
6	GREY	
7	GREY	
8	GREY	
9	GREY	
10	GREY	



NOTES:
 1. ELECTRICAL CHARACTERISTICS:
 1-1 CURRENT RATING: 1.5 AMPS.
 1-2 CONTACT RESISTANCE: 3 Ohm Max.
 1-3 INSULATION RESISTANCE: 30 MOhm Min. at 300VDC.
 1-4 BREAKDOWN VOLTAGE: 300 VAC PER MINUTE.
 2. FOR PANEL THICKNESS Max. OF 4.3mm.
 3. ENVIRONMENTAL:
 OPERATING TEMPERATURE: -20°C TO +80°C.
 4. OTHER GENERAL SPEC. TO REFER "RJ45 SERIES SPEC".
 5. FOR TECHNICAL DATA REFER TO YOUR LOCAL SINGATRON ELECTRONICS SALES OFFICE.
 6. ALL DIMENSIONS ARE NOMINAL FOR REFERENCE ONLY UNLESS OTHERWISE STATED.
 7. TO CONFORM TO SINGATRON HAZARDOUS SUBSTANCE FREE SPEC.
 8. GREEN PRODUCT IDENTIFICATION LABEL ON PACKAGING [G.P. Pass]

DECIMALS: ANGLES:
 X :±0.5 X :±2°
 X.X :±0.3 X.X :±1°
 X.XX :±0.2

H	IDC CONN.	1	NYLON 66 UL 94V-0	BLACK
G	CABEL	1	UL2651 28AWG*10C PH1.27	GREY(PVC JACKET)
F	LIQUID GLUE	1	SILICON	BLACK
E	SCREW	1	STAINLESS STEEL	N/A
D	CAT.5e	1	N/A	30U" GOLD PLATED
C	GASKET	1	SILICONE	BLACK
B	PANEL NUT	1	ZINC ALLOY	120U" NICKEL PLATED
A	BODY	1	ZINC ALLOY	120U" NICKEL PLATED
NO	DESCRIPTION	QTY	MATERIAL	PLATING & COLOR

UNLESS OTHERWISE SPECIFIED TOLERANCES

Singatron Enterprise Co., Ltd.
 信營企業股份有限公司

TITLE WATERPROOF RJ45 JACK TO IDC CONN.
 DWN JF PART NO. 2TJ3003-W05169H
 CHKD Harlen SCALE 2:1 UNIT: mm
 APVD Quon SIZE: A3 SHEET: 1 OF 1 REV: A

CUSTOMER COPY