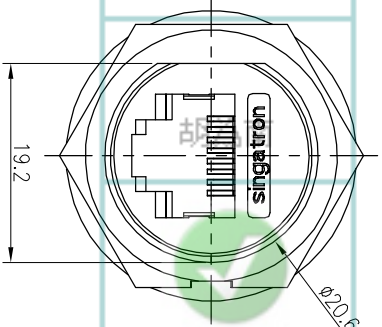
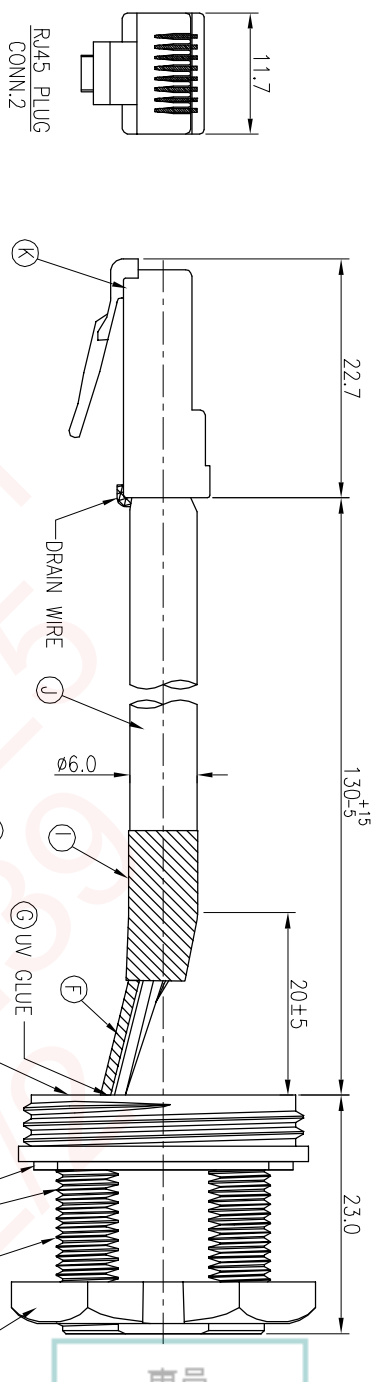
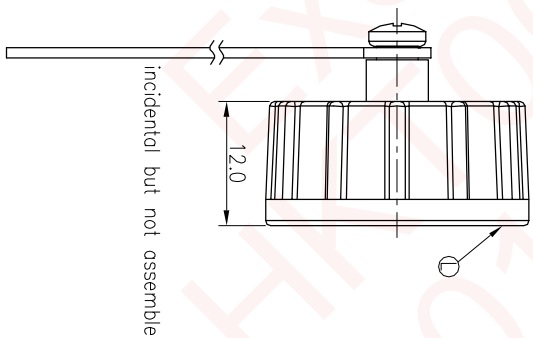
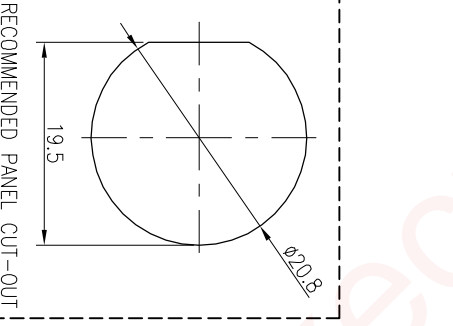
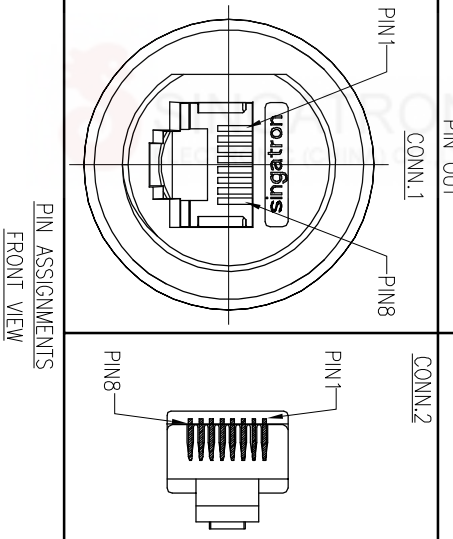


| REV. | ECN NO. | OR DESCRIPTION | REVISED | DATE |
|------|----------|----------------|---------|------------|
| A | PDR NO.: | T140505-2B | YF | 2016/02/24 |



| SHELL | DRAIN | SHELL |
|---------|--------------|--------|
| 8 | ORANGE/WHITE | 8 |
| 7 | ORANGE | 7 |
| 6 | GREEN/WHITE | 6 |
| 5 | BLUE | 5 |
| 4 | BLUE/WHITE | 4 |
| 3 | GREEN | 3 |
| 2 | BROWN/WHITE | 2 |
| 1 | BROWN | 1 |
| CONN.2 | | CONN.1 |
| PIN OUT | | |
| CONN.1 | | CONN.2 |

- NOTES:
1. WATERPROOF RATE: IP67
 2. RATING: 125V 1.5A
 3. TEMPERATURE RANGE: -20°C TO +80°C
 4. OTHER GENERAL SPEC.: TO REFER "RJ45 SERIES SPEC."
 5. TO CONFORM TO SINGATRON HAZARDOUS SUBSTANCE FREE SPEC.
 6. GREEN PRODUCT IDENTIFICATION LABEL ON PACKAGING: **GREEN PASS**
 7. FOR PANEL THICKNESS MAX OF 5.5mm



| | | | | |
|----|----------------|-----|---|-------------------|
| L | WATERPROOF CAP | 1 | P/N: 2UB3001-W0000W | BLACK |
| K | RJ45 PLUG | 1 | 8P8C SHIELD | GOLD PLATING |
| J | CABEL | 1 | CAT5E FTP 24#*4P+MY+D +A/M UV RESISTANT | BLACK(PVC JACKET) |
| I | TUBE | 1 | φ6.0 125°C 300V L=15 | BLACK |
| H | LIQUID GLUE | 1 | N/A | BLACK |
| G | UV GLUE | 1 | N/A | N/A |
| F | TUBE | 1 | φ1.0 125°C 300V L=20 | BLACK |
| E | GASKET | 1 | EPDM | BLACK |
| D | NUT | 1 | PA66+30%GF 94V-0 | BLACK |
| C | SCREW | 1 | SUS 304 | N/A |
| B | RJ45+PCB | 1 | N/A | N/A |
| A | HOUSING | 1 | PA66+30%GF 94V-0 | BLACK |
| NO | DESCRIPTION | QTY | MATERIAL | PLATING & COLOR |

UNLESS OTHERWISE SPECIFIED TOLERANCES

| | |
|------------|----------|
| DECIMALS: | ANGLES: |
| X :±0.5 | X :±2° |
| X.X :±0.3 | X.X :±1° |
| X.XX :±0.2 | |

Singatron Enterprise Co., Ltd.
信亨企業股份有限公司

RJ45 SHIELDED JACK + PLUG

PART NO. 2TJ3003-W05176H

SCALE 2:1 UNIT: mm

SIZE: A3 SHEET: 1 OF 1 REV: A

CUSTOMER COPY

