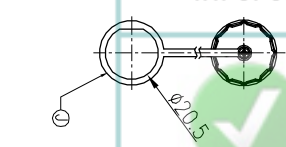
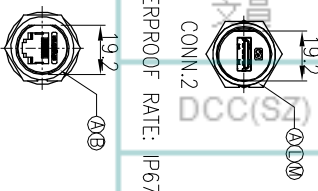
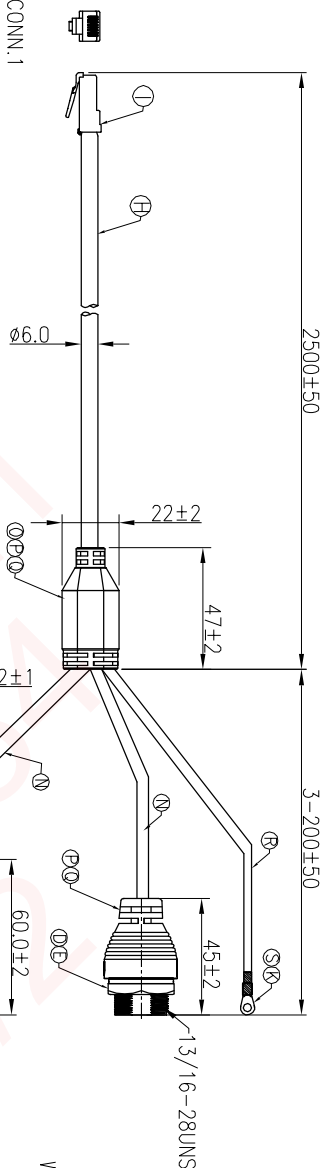
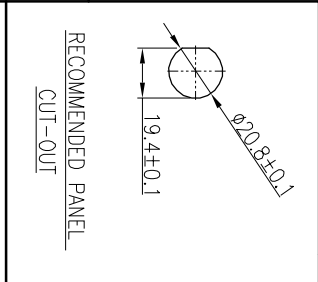
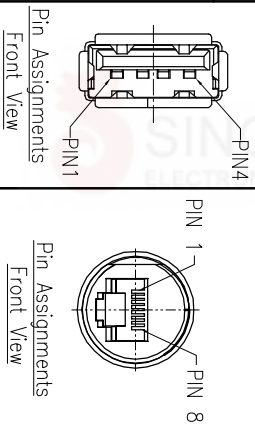
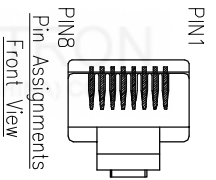


REV.	ECN NO OR DESCRIPTION	REVISED	DATE
A	PDR NO.:S140820-4A	Vicky	2015.08.18



SHELL	DRAIN	TERMINAL (UL1007 BLACK)
8	BROWN	3
7	BROWN/WHITE	2
5	BLUE/WHITE	4
4	BLUE	1
6	GREEN	6
3	GREEN/WHITE	3
2	ORANGE	2
1	ORANGE/WHITE	1
CONN.1	WIRE COLOR	CONN.2 CONN.3



- NOTES:
- ELECTRICAL CHARACTERISTICS:
 - 1-1 CURRENT RATING: 1.5 AMPS
 - 1-2 CONTACT RESISTANCE: 3 Ohm Max.
 - 1-3 INSULATION RESISTANCE: 30 Mohm Min. at 300VDC.
 - 1-4 BREAKDOWN VOLTAGE: 300 VAC PER MINUTE.
 - ENVIRONMENTAL:
 - 3-1 OPERATING TEMPERATURE: -20°C TO +80°C.
 - 3-2 SEALING REQUIREMENTS: IP67.
 - OTHER GENERAL SPEC. TO REFER "RJ45 SERIES SPEC".
 - FOR PANEL THICKNESS MAX OF 3.5mm
 - FOR TECHNICAL DATA REFER TO YOUR LOCAL SINGATRON ELECTRONICS SALES OFFICE.
 - 2PCS WATERPROOF CAP以附件形式包装出货
 - TO CONFORM TO SINGATRON HAZARDOUS SUBSTANCE FREE SPEC.
 - GREEN PRODUCT IDENTIFICATION LABEL ON PACKAGING:

S	HEAT SHRINK TUBE	1	OD:3.5(125* 300V)	BLACK
R	WIRE	1	UL1007 20AWG	BLACK
Q	INNER MOLD	3	PVC	BLACK
P	OVER MOLD	3	TPU	BLACK
O	HEAT SHRINK TUBE	8	2.0°C(125* 300V)	BLACK

NO	DESCRIPTION	QTY	MATERIAL	PLATING & COLOR
N	HEAT SHRINK TUBE	1	OD:5.0(125* 300V)	BLACK
M	PCB	1	FR-4	GREEN
L	USB CONN.	1	USB A RECEPTANCE	/
K	TERMINAL	1	ID:3.2 OD:5.5	TIN
J	WATERPROOF CAP	2	P/N:ZUB3001-W0000W	BLACK
I	RJ45 PLUG	1	8P8C SHIELD	/
H	CABEL	1	CA15E FTP24#*4P++MY	BLACK
G	LIQUID GLUE	1	+D+A/M OD:6.0	BLACK
F	UV GLUE	1	N/A	N/A
E	GASKET	2	EPDM	BLACK
D	NUT	2	NYLON+GF	BLACK
C	SCREW	1	SUS	N/A
B	RJ45+PCB	1	N/A	N/A
A	HOUSING	2	PA66	BLACK

UNLESS OTHERWISE SPECIFIED TOLERANCES

Singatron Enterprise Co., Ltd.
信晉企業股份有限公司

DECIMALS:	ANGLES:	TITLE
X : ±0.5	X : ±2°	WPC RJ45 CONN. TO USB CONN.
X.X : ±0.3	X.X : ±1'	DWN Vicky
X.XX : ±0.2		CHKD Harden
		APVD Steve

PART NO.:27J3003-W05178H
SCALE 1:1 UNIT: mm
SHEET:1 OF 1 REV: A
CUSTOMER COPY