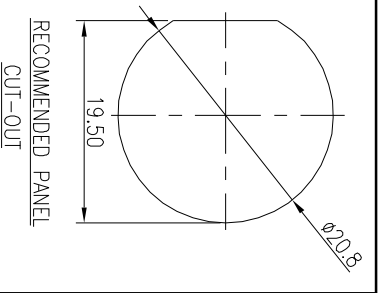
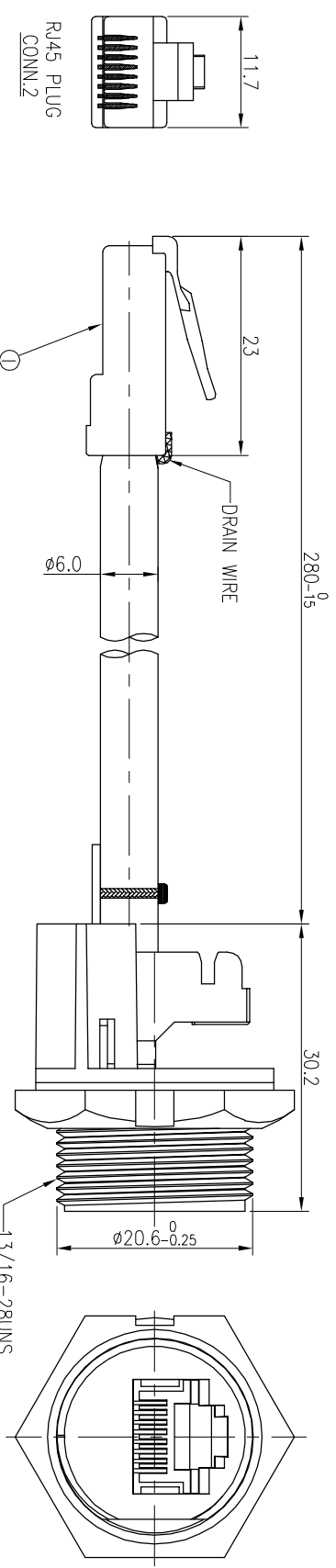
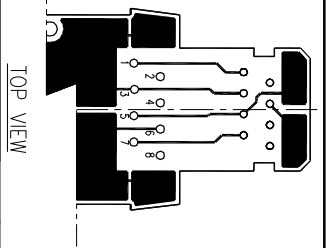
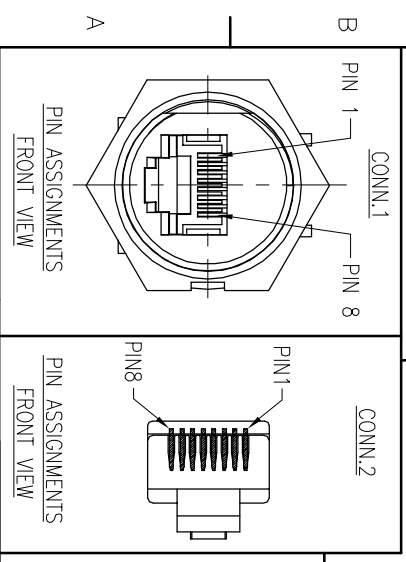
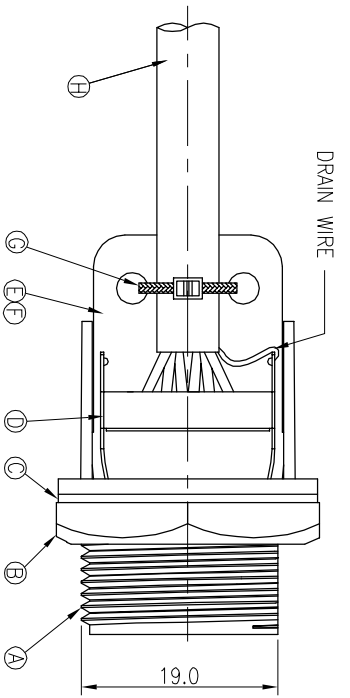


REV.	ECN NO OR DESCRIPTION	REVISED	DATE
A	PDR NO.:S170327-2A	Vicky	2017.03.27



- NOTES:
1. WATERPROOF RATE: IP67(WHEN PROPERLY MATED)  
IP67: IMMERSED IN 1M WATER FOR 30 MINUTES
  2. RATING:125V 1.5A
  3. OTHER GENERAL SPEC. TO REFER "RJ45 SERIES SPEC".
  4. TO CONFORM TO SINGATRON HAZARDOUS SUBSTANCE FREE SPEC.
  5. GREEN PRODUCT IDENTIFICATION LABEL ON PACKAGING:
  6. FOR PANEL THICKNESS MAX OF 3.5mm



SHIELD	DRAIN	SHIELD
8	ORANGE/WHITE	8
7	ORANGE	7
6	GREEN/WHITE	6
5	BLUE	5
4	BLUE/WHITE	4
3	GREEN	3
2	BROWN/WHITE	2
1	BROWN	1
PCB	WIRE COLOR	CONN.2

NO	DESCRIPTION	QTY	MATERIAL	PLATING & COLOR
I	RJ45 PLUG	1	8P8C SHIELD	GOLD PLATING
H	CABEL	1	CAT5E FTP 24#*4P+MY+D +A/M UV RESISTANT	BLACK(PVC JACKET)
G	CABLE TIES	1	NYLON	BLACK
F	CRJ45	1	N/A	GOLD PLATING 6u"MIN
E	PCB	1	FR-4	GREEN
D	GROUND	1	Phosphor Bronze	NICKEL PLATING 60u"
C	GASKET	1	EPDM	BLACK
B	NUT	1	PPE	BLACK
A	HOUSING	1	PPE	BLACK

UNLESS OTHERWISE SPECIFIED TOLERANCES

DECIMALS: ANGLES:

X :±0.5 X :±2°  
X.X :±0.3 X.X :±1°  
X.XX :±0.2 X.XX :±1'

Singatron Enterprise Co., Ltd.  
信登企業股份有限公司

RJ45 SHIELDED JACK + PLUG

TITLE: DWN Vicky PART NO.:2713003-W05193H  
CHKD: Harlen SCALE: 2:1 UNIT: mm  
APVD: Steve SIZE: A3 SHEET: 1 OF 1 REV: A

CUSTOMER COPY