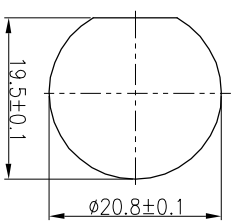
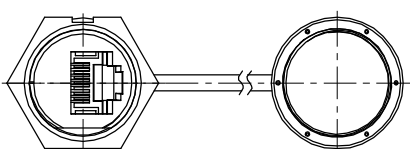
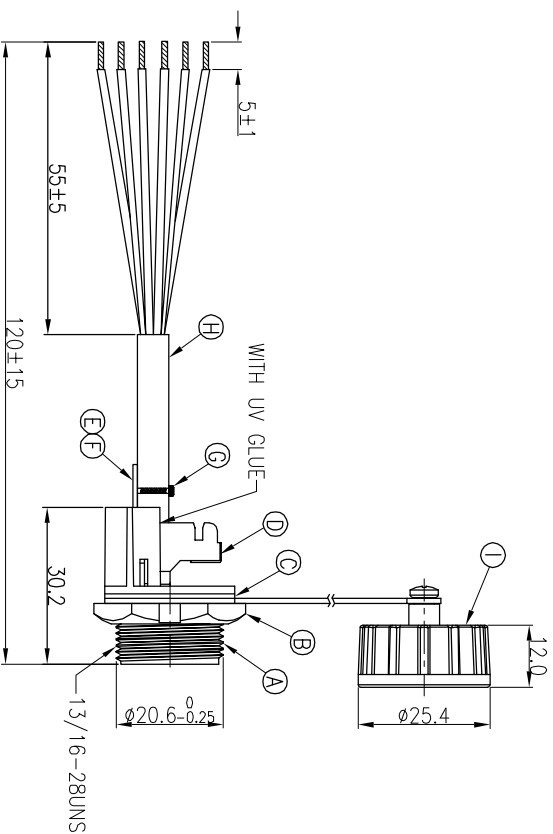
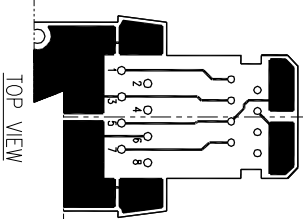


REV.	ECN NO.	OR DESCRIPTION	REVISED	DATE
A	PDR NO.:S160114-14A		Horlen	2016.11.3

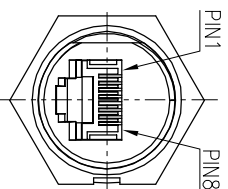


RECOMMENDED PANEL CUT-OUT



WATERPROOF RATE: IP67

8	BROWN
7	BROWN/WHITE
6	/
5	BLUE/WHITE
4	/
3	ORANGE/WHITE
2	GREEN
1	GREEN/WHITE
PCB	WIRE COLOR
PIN OUT	
CONN.	



PIN ASSIGNMENTS FRONT VIEW

- NOTES:
1. WATERPROOF RATE: IP67(WHEN PROPERLY MATED) IP67: IMMersed IN 1M WATER FOR 30 MINUTES
 2. RATING:125V 1.5A
 3. TO CONFORM TO SINGATRON HAZARDOUS SUBSTANCE FREE SPEC.
 4. GREEN PRODUCT IDENTIFICATION LABEL ON PACKAGING:
 5. FOR PANEL THICKNESS MAX OF 3.5mm

J	UV GLUE	1	N/A	WHITE
I	WATERPROOF CAP	1	P/N:2UB3001-W0000W	BALCK
H	CABLE	1	4P*24AWG+M+D+AL CAT.5E	BLACK(PVC JACKET)
G	CABLE TIES	1	UV RESISTANT OD6.0	BLACK
F	CR145	1	NYLON	GOLD PLATING 6u"MIN
E	PCB	1	FR-4	GREEN
D	GROUND	1	PHOSPHOR BRONZE	NICKEL PLATING 60u"
C	GASKET	1	EPDM	BLACK
B	NUT	1	PA66+GF	BLACK
A	BODY	1	PPE	BLACK
NO	DESCRIPTION	QTY	MATERIAL	PLATING & COLOR

UNLESS OTHERWISE SPECIFIED TOLERANCES

DECIMALS: ANGLES:

X :±0.5 X :±2°

X.X :±0.3 X.X :±1°

X.XX :±0.2

Singatron Enterprise Co., Ltd.
信登企業股份有限公司

TITLE R145 SHIELDED JACK

DWN Horlen PART NO.27J3003-W05194H

CHKD Horlen SCALE 1:1 UNIT: mm

APVD Steve SIZE: A3 SHEET: 1 OF 1 REV: A

CUSTOMER COPY