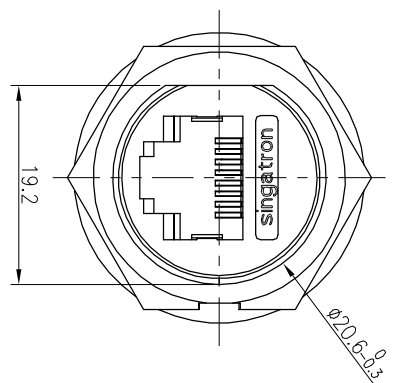
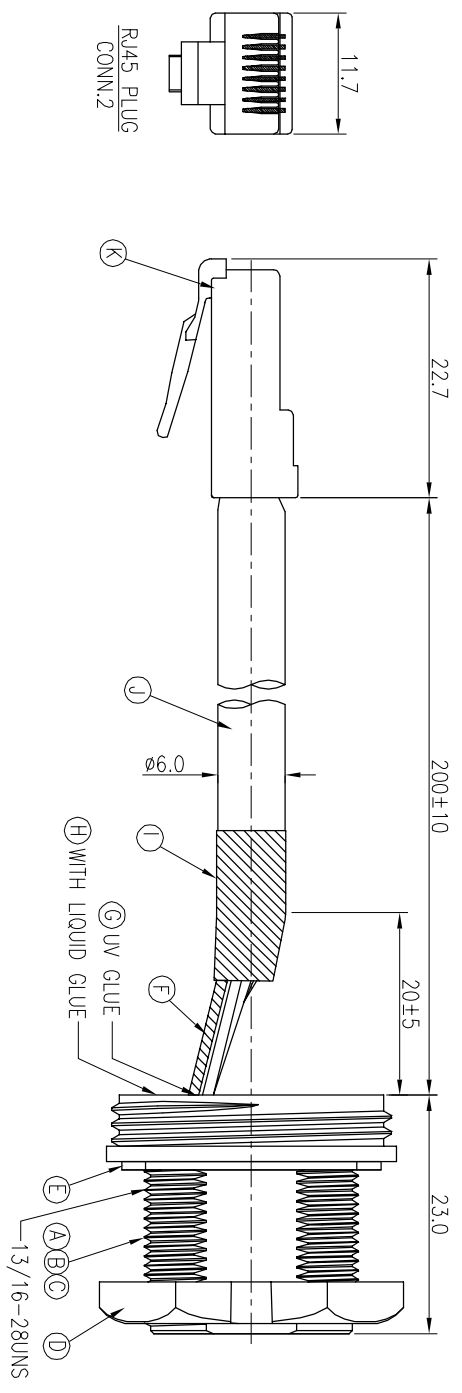


REV.	ECN NO.	OR DESCRIPTION	REVISED	DATE
A	PDR	NO:T160513-2B	Blues	2017.01.11



CONN.1
WATERPROOF RATE: IP67

/	DRAIN	SHELL
8	ORANGE/WHITE	8
7	ORANGE	7
6	GREEN/WHITE	6
5	BLUE	5
4	BLUE/WHITE	4
3	GREEN	3
2	BROWN/WHITE	2
1	BROWN	1
CONN.2 WIRE COLOR		CONN.1
PIN OUT		
CONN.1		
CONN.2		

- NOTES:
1. WATERPROOF RATE: IP67
 2. TEMPERATURE RANGE: -20°C TO +80°C
 3. OTHER GENERAL SPEC.: TO REFER "RJ45 SERIES SPEC."
 4. TEMPERATURE RANGE: -20°C TO +80°C
 5. TO CONFORM TO SINGATRON HAZARDOUS SUBSTANCE FREE SPEC.
 6. GREEN PRODUCT IDENTIFICATION LABEL ON PACKAGING:
 7. FOR PANEL THICKNESS MAX OF 5.5mm

K	RJ45 PLUG	1	8P8C	GOLD PLATING
J	CABEL	1	CAT5E FTP 24#*4P+M+D +A/M UV RESISTANT	BLACK(PVC JACKET)
I	TUBE	1	Ø6.0 125°C 300V L=15	BLACK
H	LIQUID GLUE	1	N/A	BLACK
G	UV GLUE	1	N/A	N/A
F	TUBE	1	Ø1.0 125°C 300V L=20	BLACK
E	GASKET	1	EPDM	BLACK
D	NUT	1	NYLON+%GF	BLACK
C	SCREW	1	SUS 304	N/A
B	RJ45+PCB	1	N/A	N/A
A	HOUSING	1	NYLON+%GF	BLACK
NO	DESCRIPTION	QTY	MATERIAL	PLATING & COLOR

UNLESS OTHERWISE SPECIFIED TOLERANCES

Singatron Enterprise Co., Ltd.
信亨企業股份有限公司

TITLE	RJ45 JACK + PLUG			
DWN	Blues	PART NO.2173003-W05197H	SCALE 2:1	UNIT: mm
CHKD	Yang	SIZE: A3	SHEET: 1 OF 1	REV: A
APVD	Horlen	CUSTOMER COPY		

