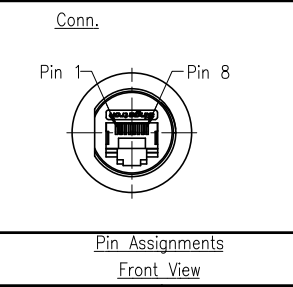
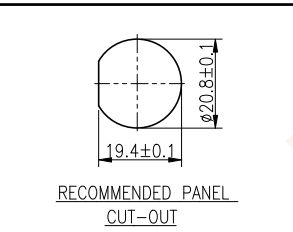
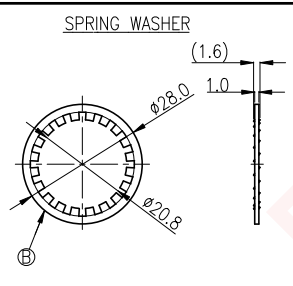
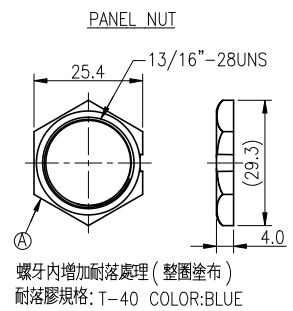
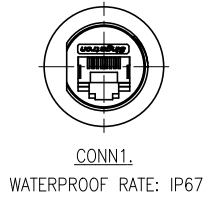
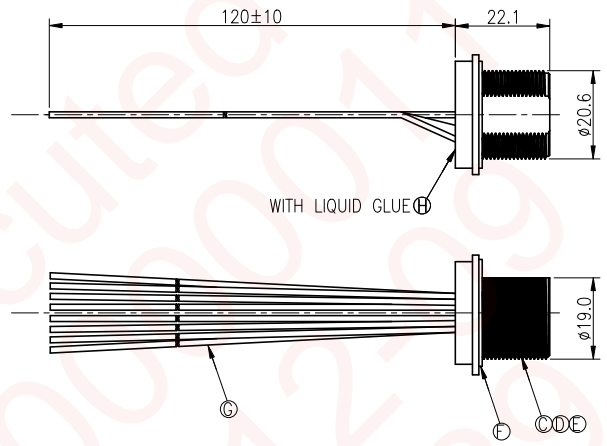


REV.	ECN NO OR DESCRIPTION	REVISED	DATE
A	PDR NO.:T160718-4A	JF	2017.10.27
B	ECN NO.: S202006-P02	JAY	2020.11.25



- NOTES:
1. WATERPROOF RATE: IP67  
IP67: IMMERSED IN 1M WATER FOR 30 MINUTES
  2. ELECTRICAL CHARACTERISTICS:  
2-1. RATING: 125V 1.5A  
2-2. CONTACT RESISTANCE: 3Ω MAX.(INITIAL)  
2-3. DIELECTRIC WITHSTANDING VOLTAGE: 300V AC FOR ONE MINUTE  
2-4. INSULATION RESISTANCE: 30MΩ MIN. MEASURED BY 300 VDC
  3. OTHER GENERAL SPEC. TO REFER "RJ45 SERIES SPEC".
  4. TO CONFORM TO SINGATRON HAZARDOUS SUBSTANCE FREE SPEC.
  5. GREEN PRODUCT IDENTIFICATION LABEL ON PACKAGING: **G.P. PASS**
  6. FOR PANEL THICKNESS MAX OF 4.3mm

ORANGE	8
WHITE	7
BLUE	6
GREEN	5
BROWN	4
YELLOW	3
RED	2
BLACK	1
WIRE COLOR	CONN.



H	GLUE	1	SILICON	BLACK
G	WIRE	8	UL1007 24AWG	SEE PIN OUT
F	GASKET	1	SILICONE	BLACK
E	CAT.5e	1	N/A	30u" GOLD PLATED
D	SCREW	1	STAINLESS STEEL	N/A
C	BODY	1	ZINC ALLOY	120u" NICKEL PLATED
B	SPRING WASHER	1	SUS304	N/A
A	PANEL NUT	1	BRASS C3604	120u" NICKEL PLATED
NO	DESCRIPTION	QTY	MATERIAL	PLATING & COLOR
UNLESS OTHERWISE SPECIFIED TOLERANCES			Singatron Enterprise Co., Ltd. 信音企業股份有限公司	
DECIMALS:		ANGLES:		
X	:±0.5	X	:±2°	
X.X	:±0.3	X.X	:±1°	
X.XX	:±0.2			
TITLE	RJ45 KEYSTONE JACK SOCKET			
DWN	JAY	PART NO. 2TJ3003-W051A2H		
CHKD	Cerry	SCALE 1:1	UNIT: mm	
APVD	William	SIZE: A3	SHEET: 1 OF 1	REV: B
<b>CUSTOMER COPY</b>				