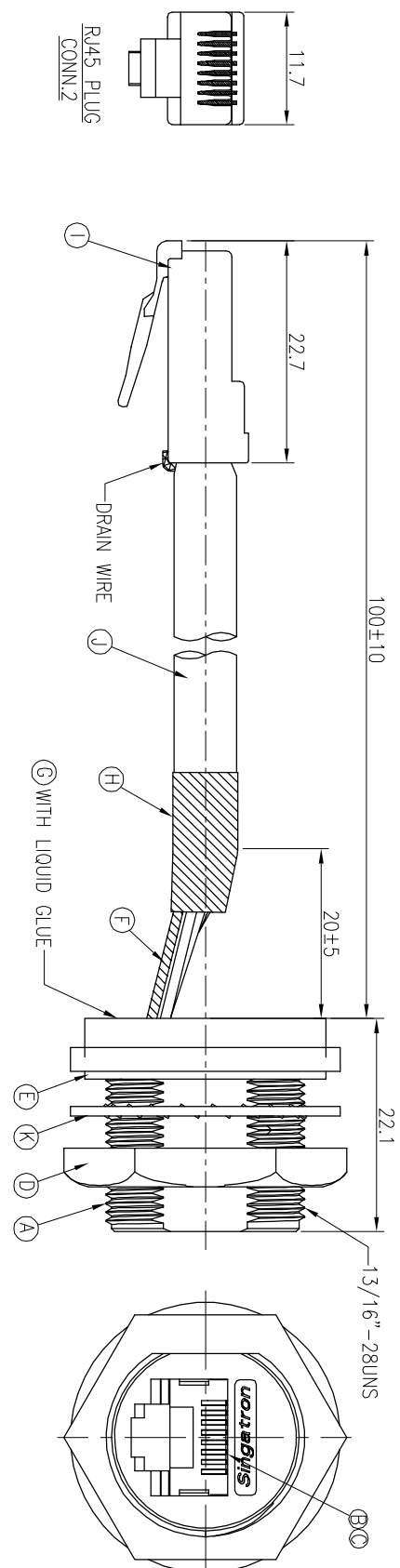


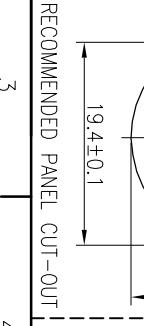
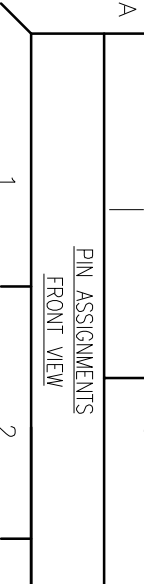
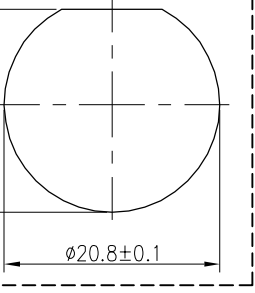
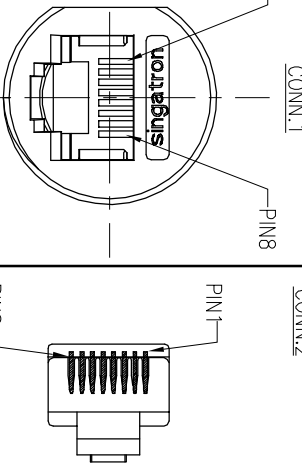
REV.	ECN NO.	OR DESCRIPTION	REVISED	DATE
A	PDR NO.1170815-3A		Jun	2018.02.08
B	ECN NO.: S202006-P02		JAY	2020.11.25
C	ECN NO.: S202302-C15		JAY	2023.03.01



SHELL	DRAIN	SHELL
8	BROWN	8
7	BROWN/WHITE	7
6	GREEN	6
5	BLUE/WHITE	5
4	BLUE	4
3	GREEN/WHITE	3
2	ORANGE	2
1	ORANGE/WHITE	1

CONN.2	WIRE COLOR	CONN.1
1	ORANGE/WHITE	1
2	ORANGE	2
3	GREEN/WHITE	3
4	BLUE	4
5	BLUE/WHITE	5
6	GREEN	6
7	BROWN/WHITE	7
8	BROWN	8

- NOTES:
1. WATERPROOF RATE: IP67
  2. IP67: IMMERSED IN 1M WATER FOR 30 MINUTES
  3. RATING: 125V 1.5A
  4. TEMPERATURE RANGE: -20°C TO +80°C
  5. OTHER GENERAL SPEC. TO REFER "R445 SERIES SPEC".
  6. TO CONFORM TO SINGATRON HAZARDOUS SUBSTANCE FREE SPEC.
  7. GREEN PRODUCT IDENTIFICATION LABEL ON PACKAGING: **[GPR PASS]**
  7. FOR PANEL THICKNESS MAX OF 4.3mm



NO	DESCRIPTION	QTY	MATERIAL	PLATING & COLOR
A	BODY	1	ZINC ALLOY	NICKEL PLATED
B	CAT.5e	1	N/A	GOLD PLATED
C	SCREW	1	STAINLESS STEEL	N/A
D	PANEL NUT	1	BRASS C3604	NICKEL PLATED
E	GASKET	1	SILICONE	BLACK
F	HEAT SHRINK TUBE	1	Ø1.0 125°C 300V L=20	BLACK
G	LIQUID GLUE	1	N/A	BLACK
H	HEAT SHRINK TUBE	1	Ø6.0 125°C 300V L=15	BLACK
I	R445 PLUG	1	8P8C SHIELD	GOLD PLATING
J	CABEL	1	CAT5E FTP 24##4P+MY+D +A/M (UV RESISTANT)	BLACK(PVC JACKET)
K	SPRING WASHER	1	STAINLESS STEEL	N/A

DECIMALS:	ANGLES:
X :±0.5	X :±2°
X.X :±0.3	X.X :±1°
X.XX :±0.2	

TITLE	R445 SHIELDED JACK + PLUG		
DWN	JAY	PART NO.2713003-N051A5H	
CHKD	Cerry	SCALE 2:1	UNIT: mm
APVD	William	SIZE: A3	SHEET: 1 OF 1

UNLESS OTHERWISE SPECIFIED TOLERANCES

Singatron Enterprise Co., Ltd.  
信亨企業股份有限公司

CUSTOMER COPY