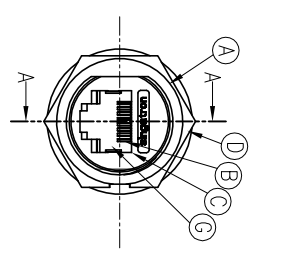
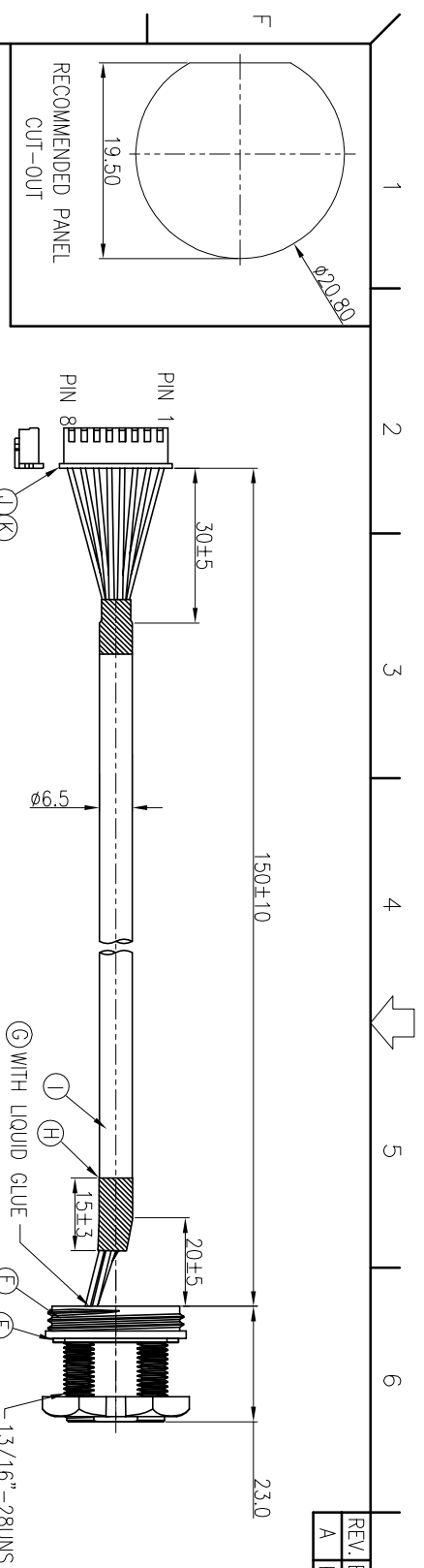
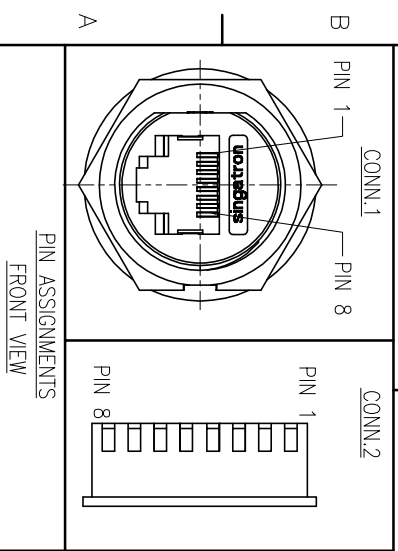
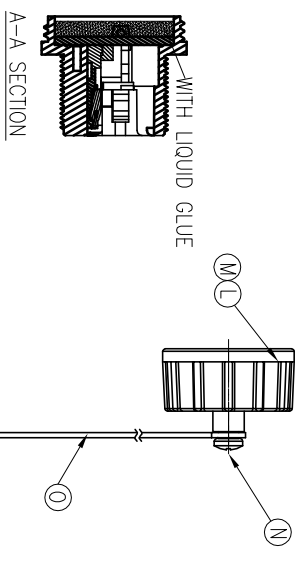


REV.	ECN NO.	OR DESCRIPTION	REVISED	DATE
A	PDR NO.:	S160930-1A	Yong	2017.06.25



廠商料號	2TJ3003-W051A6H
客戶料號	320-30249-00
客戶確認	
客戶審核	

8	ORANGE/WHITE	8	
7	ORANGE	7	TWIST
6	GREEN/WHITE	6	
5	BLUE	5	TWIST
4	BLUE/WHITE	4	TWIST
3	BROWN/WHITE	3	
2	BROWN	2	TWIST
1	BROWN	1	
CONN.1 WIRE COLOR		CONN.2	
PIN OUT			



- NOTES:
1. WATERPROOF RATE: IP67  
IP67: IMMERSED IN 1M WATER FOR 30 MINUTES
  2. ELECTRICAL CHARACTERISTICS:  
2-1. RATING:125V 1.5A  
2-2. CONTACT RESISTANCE: 3 ohm MAX.(INITIAL)  
2-3. DIELECTRIC WITHSTANDING VOLTAGE: 300V AC FOR ONE MINUTE  
2-4. INSULATION RESISTANCE: 30Mohm MIN. MEASURED BY 300 VDC
  3. OTHER GENERAL SPEC. TO REFER "RJ45 SERIES SPEC."
  4. TO CONFORM TO SINGATRON HAZARDOUS SUBSTANCE FREE SPEC.
  5. GREEN PRODUCT IDENTIFICATION LABEL ON PACKAGING: **GR PASS**
  6. FOR PANEL THICKNESS MAX OF 5.5mm
  7. 防水蓋以附件形式出貨

O	CHAIN	1	TPU	BLACK
N	SCREW	1	STAINLESS STEEL	N/A
M	GASKET	1	EPDM	BLACK
L	SCREW NUT	1	PPE	BLACK
K	TERMINAL	8	JWT A250110P-2	N/A
J	HOUSING	1	JWT A2501H02-8P	WHITE
I	CABEL	1	CAT5E FTP 24#*4P+MY+D +A/M UV RESISTANT	BLACK(PVC JACKET)
H	TUBE	2	Ø7.0 125°C 300V	BLACK
G	LIQUID GLUE	2	N/A	BLACK
F	SCREW	1	STAINLESS STEEL	N/A
E	GASKET	1	EPDM	BLACK
D	NUT	1	NYLON+GF	BLACK
C	GROUND	2	BRASS	NICKEL PLATING 60µ"
B	CRJ45	1	N/A	GOLD PLATING 60µ"MIN
A	HOUSING	1	NYLON+GF	BLACK
NO	DESCRIPTION	QTY	MATERIAL	PLATING & COLOR

UNLESS OTHERWISE SPECIFIED TOLERANCES		 Singapore Enterprise Co., Ltd. 信晉企業股份有限公司	
DECIMALS:	ANGLES:	TITLE	
X :±0.5	X :±2°	RJ45 FRONT MOUNT CONN.+HOUSING	
X X :±0.3	X X :±1'	DWN Yong	
X:XX :±0.2		CHKD JF	
		APVD Steve	
		PART NO. 2TJ3003-W051A6H	
		SCALE 2:1 UNIT: mm	
		SIZE: A3 SHEET: 1 OF 1 REV: A	
CUSTOMER COPY			