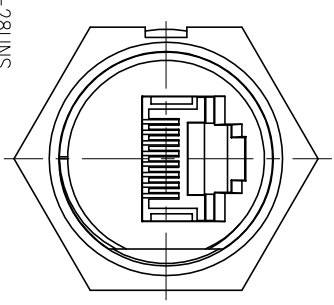
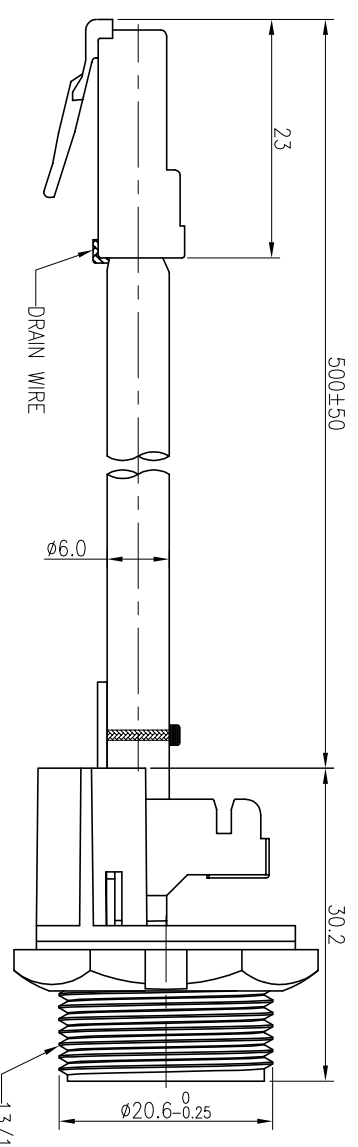
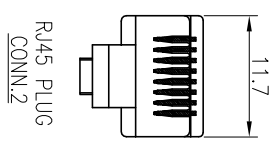
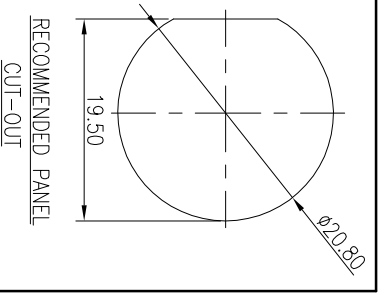
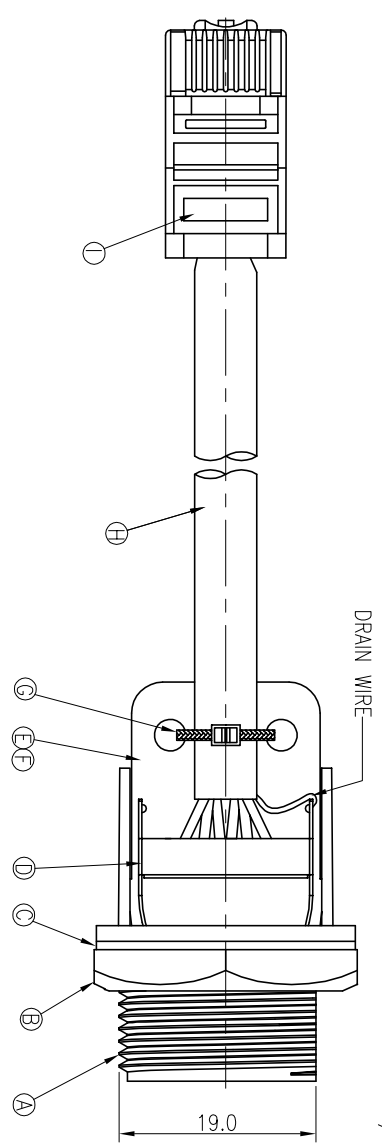


REV.	ECN NO.	OR DESCRIPTION	REVISED	DATE
A	PDR	NO:T161124-9A	Yang	2017.03.01

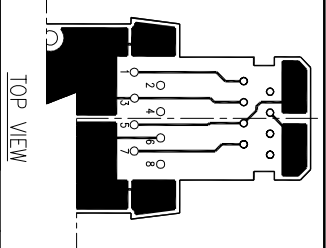
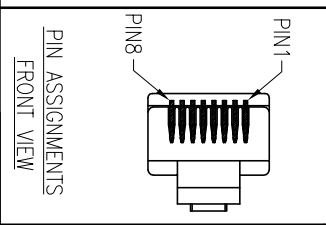
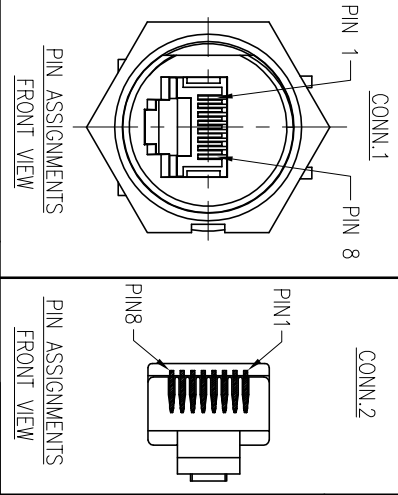


WATERPROOF RATE: IP67



RECOMMENDED PANEL CUT-OUT

- NOTES:
1. WATERPROOF RATE: IP67(WHEN PROPERLY MATED)  
IP67: IMMersed IN 1M WATER FOR 30 MINUTES
  2. RATING:125V 1.5A
  3. OTHER GENERAL SPEC. TO REFER "R445 SERIES SPEC."
  4. TO CONFORM TO SINGATRON HAZARDOUS SUBSTANCE FREE SPEC.
  5. GREEN PRODUCT IDENTIFICATION LABEL ON PACKAGING: **GREEN PASS**
  6. FOR PANEL THICKNESS MAX OF 3.5mm



SHIELD	DRAIN	SHIELD
8	ORANGE/WHITE	8
7	ORANGE	7
6	GREEN/WHITE	6
5	BLUE	5
4	BLUE/WHITE	4
3	GREEN	3
2	BROWN/WHITE	2
1	BROWN	1
PCB	WIRE COLOR	CONN.2

NO	DESCRIPTION	QTY	MATERIAL	PLATING & COLOR
I	R445 PLUG	1	8P8C SHIELD	GOLD PLATING
H	CABEL	1	CAT5E FTP 24#*4P+M*+D +A/M UV RESISTANT	BLACK(PVC JACKET)
G	CABLE TIES	1	NYLON	BLACK
F	CR445	1	N/A	GOLD PLATING 60u"MIN
E	PCB	1	FR-4	GREEN
D	GROUND	1	Phosphor Bronze	NICKEL PLATING 60u"
C	GASKET	1	EPDM	BLACK
B	NUT	1	PA66	BLACK
A	HOUSING	1	PPE	BLACK
NO	DESCRIPTION	QTY	MATERIAL	PLATING & COLOR

Singatron Enterprise Co., Ltd.  
信登企業股份有限公司

TITLE	R445 SHIELDED JACK + PLUG			
DWN	Yang	PART NO.	2733003-W051B0H	
CHKD	Harlen	SCALE	2:1	UNIT: mm
APVD	Steve	SIZE: A3	SHEET: 1 OF 1	REV: A

CUSTOMER COPY