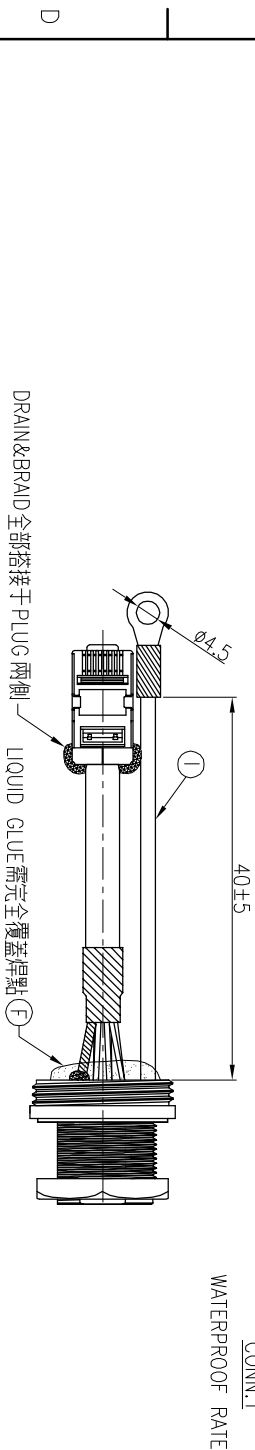
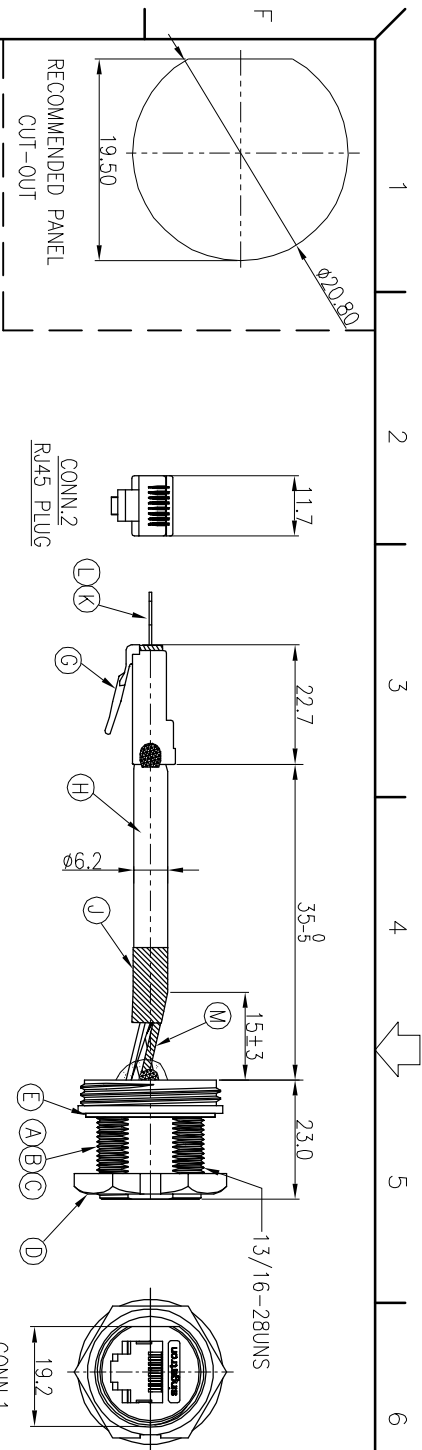
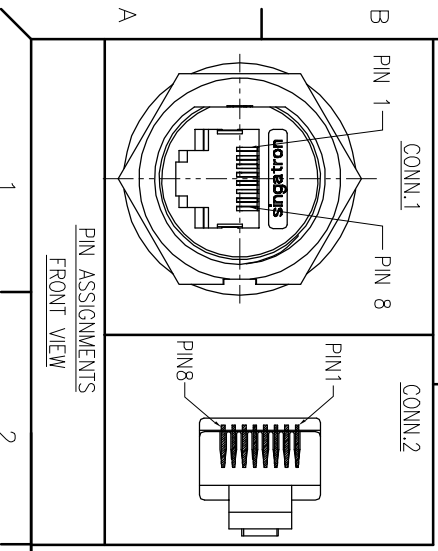
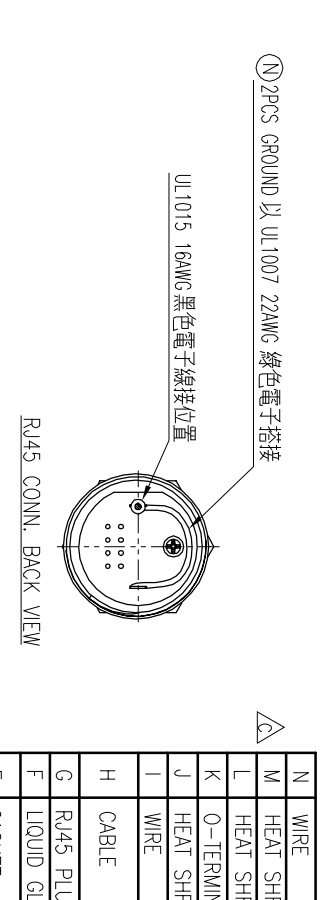


REV.	ECN NO	OR DESCRIPTION	REVISED	DATE
A	PDR NO.:T170106-3A	JF		2017.03.02
B	ECN NO.:A180708-R	JAY		2018.07.24
C	ECN NO.:S202201-ED4	LEI		2022.03.22



SHIELD	DRAIN+BRAD	SHIELD
8	BROWN	8
7	BROWN/WHITE	7
6	GREEN	6
5	BLUE/WHITE	5
4	BLUE	4
3	GREEN/WHITE	3
2	ORANGE	2
1	ORANGE/WHITE	1
CONN.1	WIRE COLOR	CONN.2



NOTES:

1. WATERPROOF RATE: IP67
IP67: IMMERSED IN 1M WATER FOR 30 MINUTES
2. ELECTRICAL CHARACTERISTICS:
2-1. RATING:125V 1.5A
2-2. CONTACT RESISTANCE: 3 ohm MAX.(INITIAL)
2-3. DIELECTRIC WITHSTANDING VOLTAGE: 300V AC FOR ONE MINUTE
2-4. INSULATION RESISTANCE: 30Mohm MIN. MEASURED BY 300 VDC
TEMPERATURE RANGE:
-40°C To +105°C(ONLY FOR PANEL CONN. & CABLE)
3. OTHER GENERAL SPEC. TO REFER "RJ45 SERIES SPEC."
4. TO CONFORM TO SINGATRON HAZARDOUS SUBSTANCE FREE SPEC.
5. GREEN PRODUCT IDENTIFICATION LABEL ON PACKAGING:
6. FOR PANEL THICKNESS MAX OF 5.5mm

NO	DESCRIPTION	QTY	MATERIAL	PLATING & COLOR
N	WIRE	1	UL 1007 22AWG	GREEN
M	HEAT SHRINK TUBE	1	Ø3.0 125°C 600V	BLACK
L	HEAT SHRINK TUBE	1	Ø4.5 125°C 300V	BLACK
K	O-TERMINAL	1	ID4.5 Ø8.0	TIN PLATED
J	HEAT SHRINK TUBE	1	Ø7.0 125°C 300V	BLACK
I	WIRE	1	UL 1015 16AWG	BLACK
H	CABLE	1	CAT5E 24#*4P+MY+ADB UV RESISTANT(-40°C~105°C)	BLACK(PVC JACKET)
G	RJ45 PLUG	1	8P8C SHIELD	CONTACT GOLD PLATING
F	LIQUID GLUE	1	N/A	BLACK
E	GASKET	1	SILICON(SHIN-ETSU KE5612)	BLACK
D	PANEL NUT	1	PA66+GF	BLACK
C	SCREW	1	STAINLESS STEEL	N/A
B	RJ45+PCB	1	CAT.5e	N/A
A	BODY	1	PA66+GF	BLACK