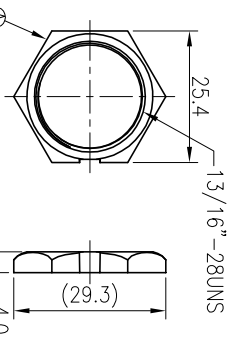
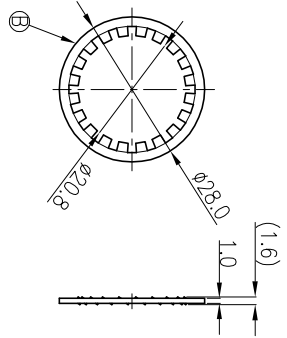


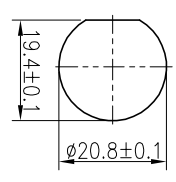
REV.	ECN NO.	OR DESCRIPTION	REVISED	DATE
A	PDR NO.:	T170308-1A	JF	2017.10.26
B	ECN NO.:	S202006-P02	JAY	2020.11.25



螺母内增加耐锈处理(整圈涂布)
耐锈膜规格: T-40 COLOR: BLUE

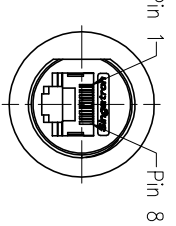


SPRING WASHER

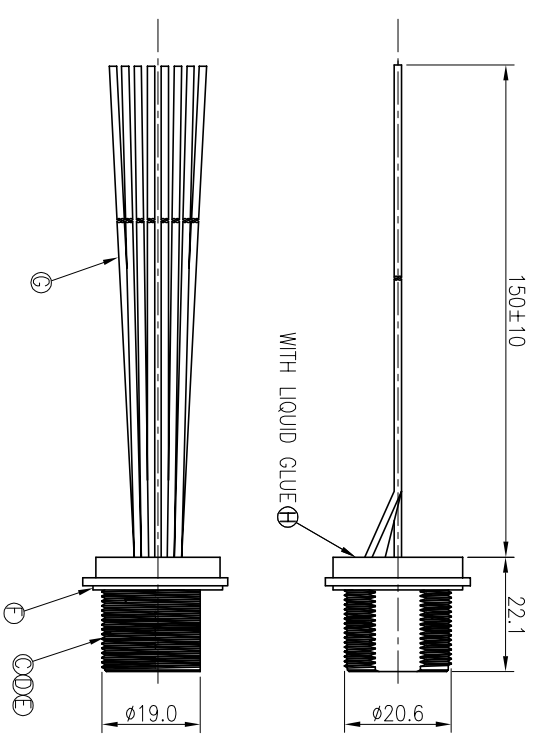


RECOMMENDED PANEL CUT-OUT

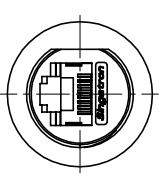
Conn.



Pin Assignments
Front View



CONN1
WATERPROOF RATE: IP67



- NOTES:
1. WATERPROOF RATE: IP67
IP67: IMMERSED IN 1M WATER FOR 30 MINUTES
 2. ELECTRICAL CHARACTERISTICS:
 - 2-1. RATING: 125V 1.5A
 - 2-2. CONTACT RESISTANCE: 30 MAX.(INITIAL)
 - 2-3. DIELECTRIC WITHSTANDING VOLTAGE: 300V AC FOR ONE MINUTE
 - 2-4. INSULATION RESISTANCE: 30MΩ MIN. MEASURED BY 300 VDC
 3. OTHER GENERAL SPEC. TO REFER "RJ45 SERIES SPEC."
 4. TO CONFORM TO SINGATRON HAZARDOUS SUBSTANCE FREE SPEC.
 5. GREEN PRODUCT IDENTIFICATION LABEL ON PACKAGING: **G.P. PASS**
 6. FOR PANEL THICKNESS MAX OF 4.3mm

WIRE COLOR	CONN.
ORANGE	8
WHITE	7
BLUE	6
GREEN	5
BROWN	4
YELLOW	3
RED	2
BLACK	1

NO	DESCRIPTION	QTY	MATERIAL	PLATING & COLOR
A	PANEL NUT	1	BRASS C3604	120μ" NICKEL PLATED
B	SPRING WASHER	1	SUS304	N/A
C	BODY	1	ZINC ALLOY	120μ" NICKEL PLATED
D	SCREW	1	STAINLESS STEEL	N/A
E	CAT.5e	1	N/A	30μ" GOLD PLATED
F	GASKET	1	SILICONE	BLACK
G	WIRE	8	UL1007 24AWG	SEE PIN OUT
H	GLUE	1	SILICON	BLACK

TITLE	UNLESS OTHERWISE SPECIFIED TOLERANCES	
RJ45 KEYSTONE JACK SOCKET	DECIMALS:	ANGLES:
JAY	:±0.5	X : ±2°
Cerry	:±0.3	X.X : ±1°
William	:±0.2	X.XX : ±0.2

Singatron Enterprise Co., Ltd.
信登企業股份有限公司

PART NO. 2713003-W051B3H
SCALE 1:1 UNIT: mm
SIZE: A3 SHEET: 1 OF 1
REV: B
CUSTOMER COPY