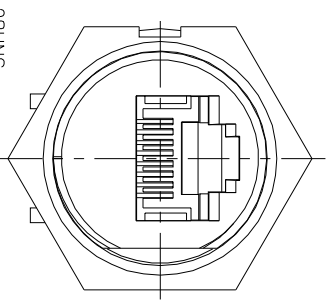
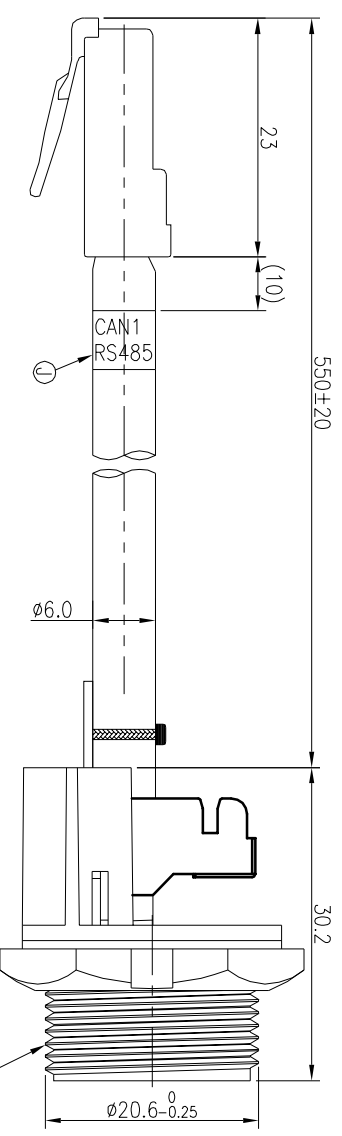
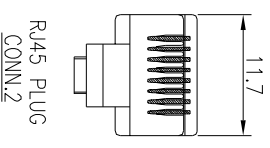


REV	ECN NO	OR DESCRIPTION	REVISED	DATE
A	PDR	NO.:S170331-4A	Vcky	2017.03.31



WATERPROOF RATE: IP67

SHEET	DRAIN	SHEET
8	ORANGE/WHITE	4
7	ORANGE	5
6	GREEN/WHITE	3
5	BLUE	6
4	BLUE/WHITE	8
3	GREEN	7
2	BROWN/WHITE	2
1	BROWN	1

PCB	WIRE COLOR	CONN.2
1	BROWN	1
2	BROWN/WHITE	2
3	GREEN	7
4	BLUE/WHITE	8
5	BLUE	6
6	GREEN/WHITE	3
7	ORANGE	5
8	ORANGE/WHITE	4

- NOTES:
1. WATERPROOF RATE: IP67(WHEN PROPERLY MATED)
 2. RATING:125V 1.5A
 3. OTHER GENERAL SPEC. TO REFER "R445 SERIES SPEC."
 4. TO CONFORM TO SINGATRON HAZARDOUS SUBSTANCE FREE SPEC.
 5. GREEN PRODUCT IDENTIFICATION LABEL ON PACKAGING: **DR. PASS**
 6. FOR PANEL THICKNESS MAX OF 3.5mm

J	LABEL	1	28*8 PET	WHITE
I	R445 PLUG	1	8P8C SHIELD	GOLD PLATING
H	CABEL	1	CAT5E FTP 24#*4P+MY+D	BLACK(PVC JACKET)
G	CABLE TIES	1	+A/M UV RESISTANT	BLACK
F	CR445	1	N/VA	GOLD PLATING 6u"MIN
E	PCB	1	FR-4	GREEN
D	SHELL	1	BRASS	NICKEL PLATING 50u"
C	GASKET	1	EPDM	BLACK
B	NUT	1	PPE	BLACK
A	HOUSING	1	PPE	BLACK
NO	DESCRIPTION	QTY	MATERIAL	PLATING & COLOR

UNLESS OTHERWISE SPECIFIED TOLERANCES

DECIMALS: ANGLES:

X :±0.5 X :±2

X.X :±0.3 X.X :±1

X.XX :±0.2

Singatron Enterprise Co., Ltd.
信登企業股份有限公司

TITLE	R445 SHIELDED JACK + PLUG	
DWN	Vcky	PART NO.2713003-W051B5H
CHKD	Horlen	SCALE 2:1 UNIT: mm
APVD	Steve	SIZE: A3 SHEET: 1 OF 1 REV: A

CUSTOMER COPY

