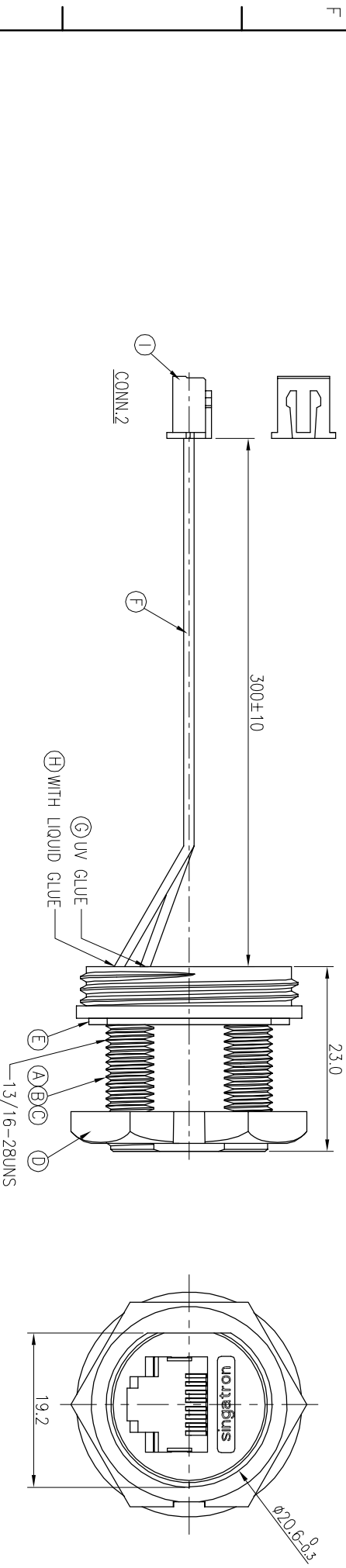


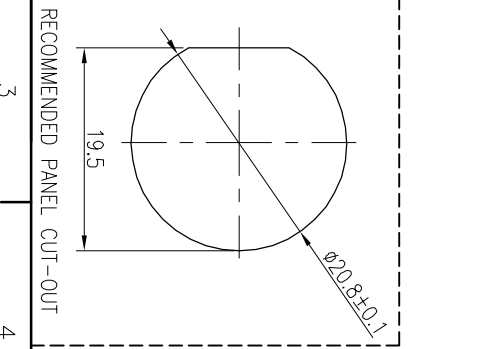
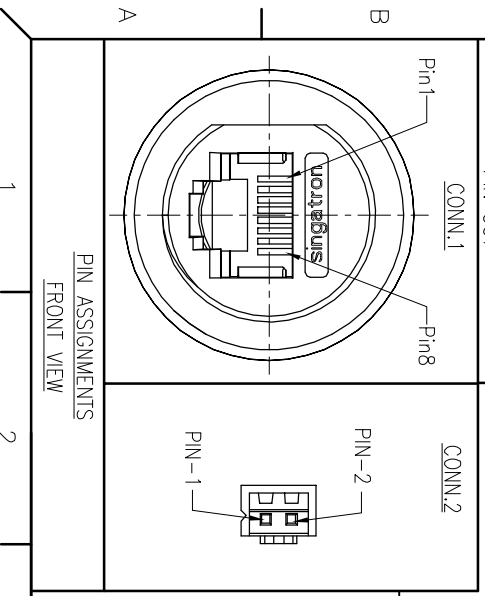
| REV. | ECN NO OR DESCRIPTION | REVISED | DATE |
|------|-----------------------|---------|------------|
| A | PDR NO.:T170918-1A | JF | 2017.12.29 |



CONN.1
WATERPROOF RATE: IP67

| CONN.1 | WIRE COLOR | CONN.2 |
|--------|------------|--------|
| 1 | RED | 2 |
| 4 | BLACK | 1 |
| 2 | | |
| 3 | | |
| 5 | | |
| 6 | | |
| 7 | | |
| 8 | | |

- NOTES:
1. WATERPROOF RATE: IP67(WHEN PROPERLY MATED)
IP67: IMMERSED IN 1M WATER FOR 30 MINUTES
 2. RATING:125V 1.5A
 3. TEMPERATURE RANGE:-20°C TO +80°C
 4. OTHER GENERAL SPEC. TO REFER "RJ45 SERIES SPEC."
 5. TO CONFORM TO SINGATRON HAZARDOUS SUBSTANCE FREE SPEC.
 6. GREEN PRODUCT IDENTIFICATION LABEL ON PACKAGING: **GREEN**
 7. FOR PANEL THICKNESS MAX OF 5.5mm



| NO | DESCRIPTION | QTY | MATERIAL | PLATING & COLOR |
|----|-------------|-----|-----------------|-----------------|
| I | CONNECTOR | 1 | NYLON 66 | WHITE |
| H | LIQUID GLUE | 2 | Phosphor Bronze | TIN PLATED |
| G | UV GLUE | 1 | N/A | BLACK |
| F | WIRE | 1 | UL 1007 24AWG | N/A |
| E | GASKET | 2 | UL 1007 24AWG | SFE "PIN OUT" |
| D | NUT | 1 | SILICONE | BLACK |
| C | SCREW | 1 | PA66+GF | BLACK |
| B | RJ45+PCB | 1 | STEEL | N/A |
| A | BODY | 1 | N/A | N/A |
| NO | DESCRIPTION | 1 | PA66+GF | BLACK |

UNLESS OTHERWISE SPECIFIED TOLERANCES

Singatron Enterprise Co., Ltd.
信譽企業股份有限公司

TITLE: RJ45 JACK + WIRE

DMN: JF PART NO.:2TJ3003-W051B7H

CHKD: Yang SCALE 2:1 UNIT: mm

APVD: Steve SIZE: A3 SHEET:1 OF 1 REV: A

CUSTOMER COPY