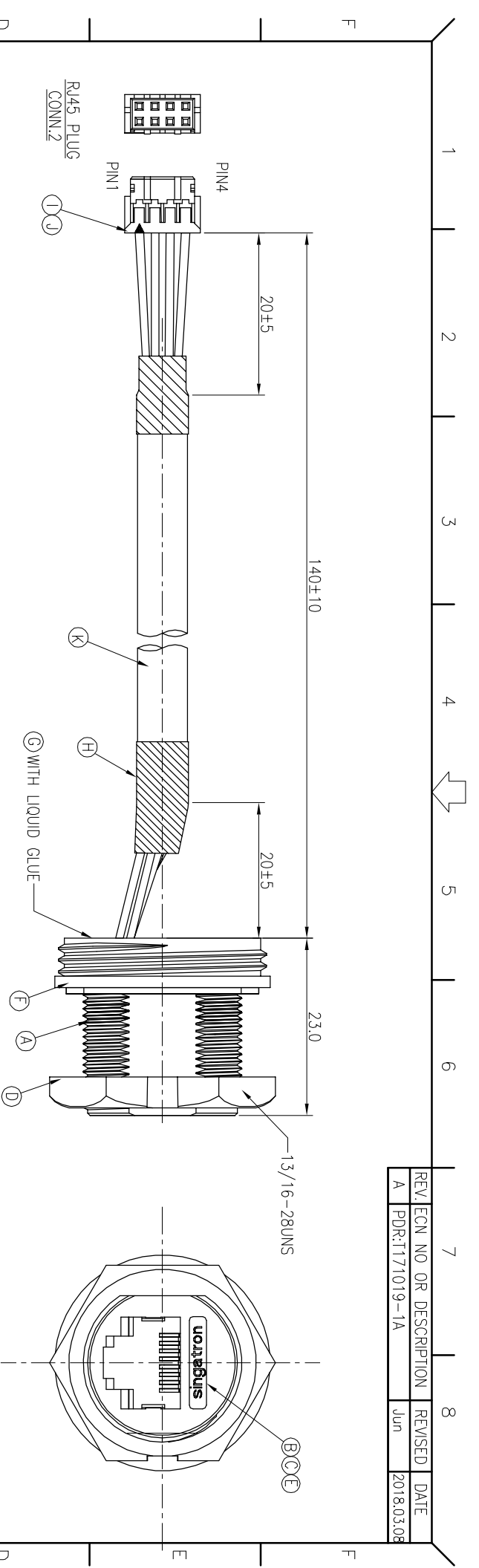


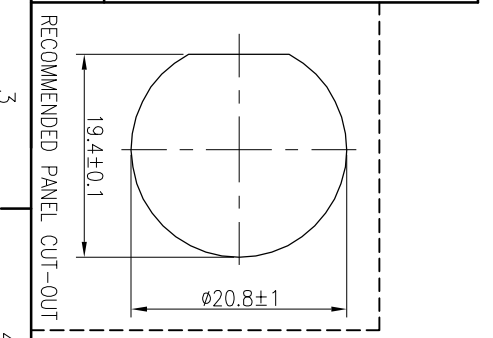
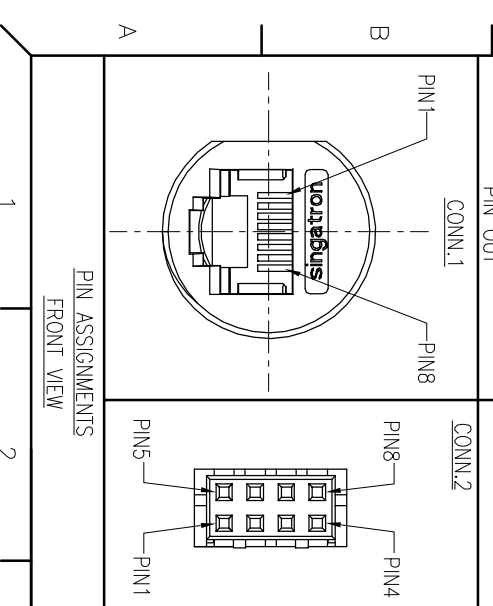
REV	ECN NO	OR DESCRIPTION	REVISED	DATE
A	PDR:17171019-1A		Jun	2018.03.08



CONN.2	WIRE COLOR	CONN.1
1	BROWN	8
2	BROWN/WHITE	7
3	GREEN	6
4	BLUE/WHITE	5
5	BLUE	4
6	GREEN/WHITE	3
7	ORANGE	2
8	ORANGE/WHITE	1

NOTES:

1. WATERPROOF RATE: IP67
2. IP67: IMMERSED IN 1M WATER FOR 30 MINUTES
3. RATING: 125V 1.5A
4. TEMPERATURE RANGE: -20°C TO +80°C
5. OTHER GENERAL SPEC. TO REFER "RJ45 SERIES SPEC".
6. TO CONFORM TO SINGATRON HAZARDOUS SUBSTANCE FREE SPEC.
7. GREEN PRODUCT IDENTIFICATION LABEL ON PACKAGING: **GREEN PASS**
7. FOR PANEL THICKNESS MAX OF 4.3mm



NO	DESCRIPTION	QTY	MATERIAL	PLATING & COLOR
K	CABEL	1	CAT5E FTP 24#*4P+MY+D +A/M (UV RESISTANT)	BLACK(PVC JACKET)
J	TERMINAL	8	TU2005 Series	NICKEL PLATED
I	HOUSING	1	TU2005 Series 2*4 P:2.0	WHITE
H	HEAT SHRINK TUBE	2	Ø7.0 125°C 300V L=15	BLACK
G	LIQUID GLUE	1	N/A	BLACK
F	GASKET	1	SILICONE	BLACK
E	GROUND	2	BRASS	NICKEL PLATING 60u"
D	PANEL NUT	1	NYLON+GF	WHITE
C	SCREW	1	STAINLESS STEEL	N/A
B	RJ45+PCB	1	N/A	N/A
A	BODY	1	NYLON+GF	WHITE

UNLESS OTHERWISE SPECIFIED TOLERANCES

DECIMALS: ANGLES:

X :±0.5 X :±2°

X.X :±0.3 X.X :±1°

X.XX :±0.2

Singatron Enterprise Co., Ltd. 信晉企業股份有限公司	
TITLE	RJ45 SHIELDED JACK + HOUSING
DWN	Jun
CHKD	JF
APVD	Steve
PART NO. 27J3803-W051CSH	
SCALE 2:1 UNIT: mm	
SIZE: A3 SHEET: 1 OF 1 REV: A	
CUSTOMER COPY	