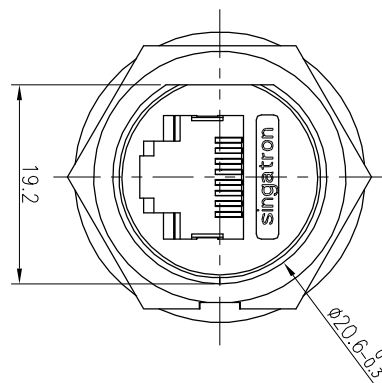
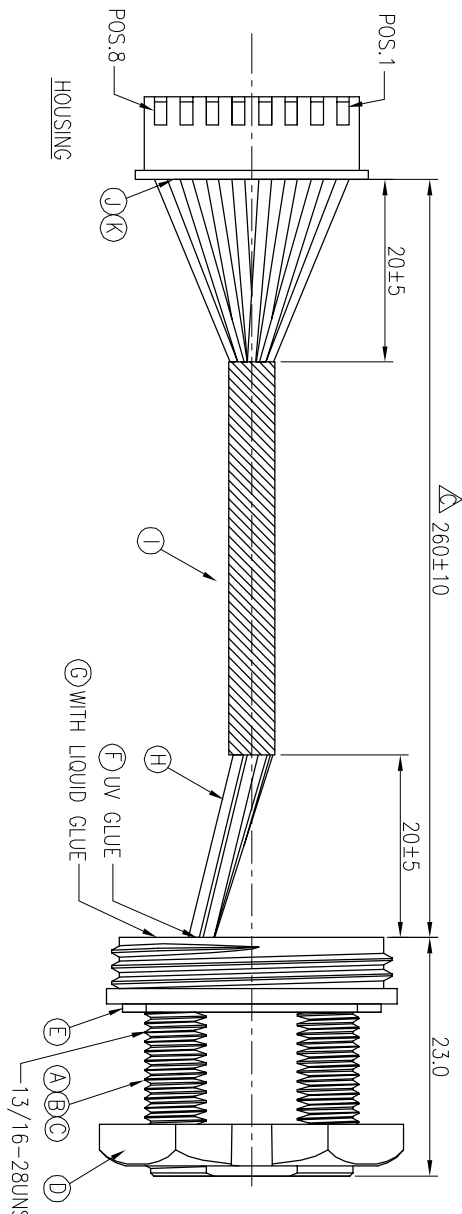


REV.	ECN NO.	OR DESCRIPTION	REVISED	DATE
A	PDR NO.:A171204-1A		Jun	2018.01.15
B	ECR NO.:S180333-C		Jun	2018.03.14
C	ECN NO.:A180815-C		Jun	2018.08.22



CONN.1
WATERPROOF RATE: IP67

8	ORANGE	8
7	WHITE	7
6	BLUE	6
5	GREEN	5
4	BROWN	4
3	YELLOW	3
2	RED	2
1	BLACK	1

HOUSING WIRE COLOR CONN.1

- NOTES:
1. WATERPROOF RATE: IP67
IP67: IMMersed IN 1M WATER FOR 30 MINUTES
 2. RATING:125V 1.5A
 3. TEMPERATURE RANGE:-20°C TO +80°C
 4. OTHER GENERAL SPEC.: TO REFER "RJ45 SERIES SPEC."
 5. TO CONFORM TO SINGATRON HAZARDOUS SUBSTANCE FREE SPEC.
 6. GREEN PRODUCT IDENTIFICATION LABEL ON PACKAGING:
 7. FOR PANEL THICKNESS MAX OF 5.5mm

K	TERMINAL	8	PHOSPHOR BRONZE	TIN PLATED
J	HOUSING	1	NYLON 66 UL 94V-0	WHITE
I	HEAT SHRINK TUBE	1	Ø5.0 125°C 300V	BLACK
H	WIRE	8	UL1007 24AWG	SEE PIN OUT
G	LIQUID GLUE	1	N/A	BLACK
F	UV GLUE	1	N/A	N/A
E	GASKET	1	EPDM	BLACK
D	NUT	1	NYLON+30%GF	BLACK
C	SCREW	1	SUS 304	N/A
B	RJ45+PCB	1	N/A	N/A
A	BODY	1	NYLON+30%GF 94V-0	BLACK
NO	DESCRIPTION	QTY	MATERIAL	PLATING & COLOR

UNLESS OTHERWISE SPECIFIED TOLERANCES

DECIMALS:	ANGLES:
X :±0.5	X :±2°
X.X :±0.3	X.X :±1°
X.XX :±0.2	

Singatron Enterprise Co., Ltd.
信登企業股份有限公司

TITLE	RJ45 JACK + PLUG
DWN	Jun
CHKD	JF
APVD	Steve
PART NO.	21733003-W051C8H
SCALE	2:1
UNIT	mm
SIZE	A3
SHEET	1 OF 1
REV	C

CUSTOMER COPY

