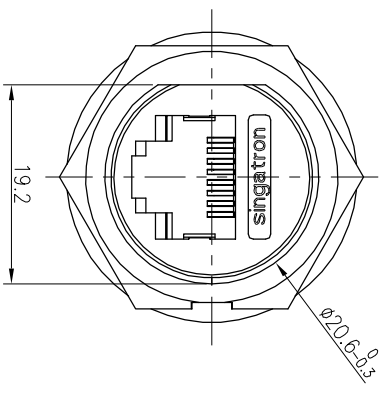
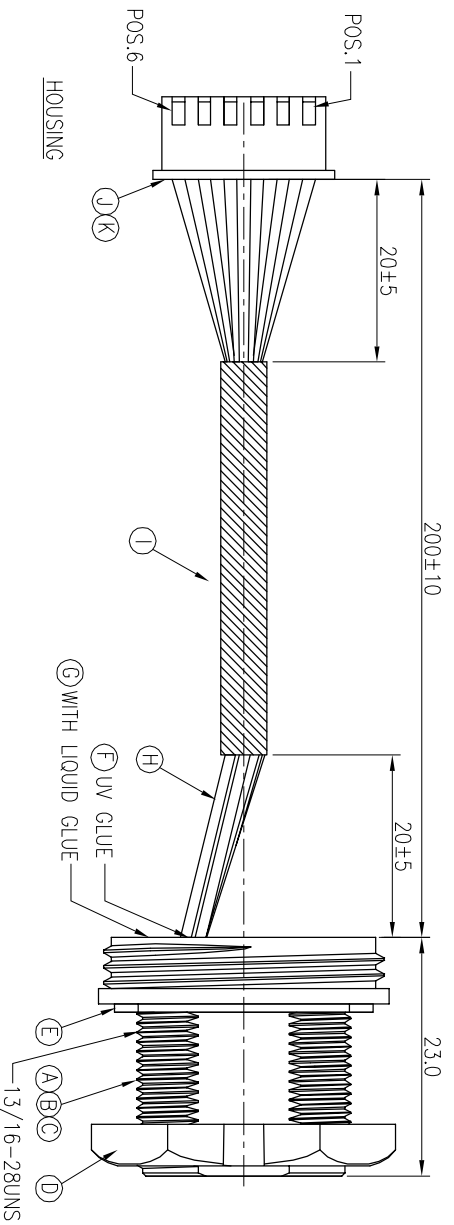


| REV | ECN NO | OR   | DESCRIPTION | REVISED | DATE       |
|-----|--------|------|-------------|---------|------------|
| A   | PDR    | NO.: | A171204-1B  | Jun     | 2018.01.15 |

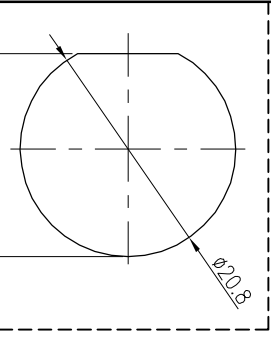
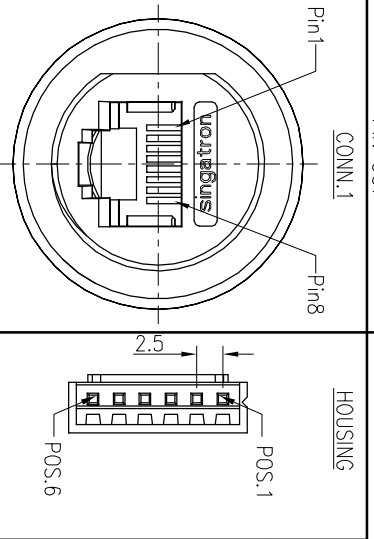


CONN.1  
WATERPROOF RATE: IP67

|         |        |        |   |
|---------|--------|--------|---|
| 6       | BLUE   | 7      | 8 |
| 5       | GREEN  | 6      |   |
| 4       | BROWN  | 5      |   |
| 3       | YELLOW | 4      |   |
| 2       | RED    | 3      |   |
| 1       | BLACK  | 2      |   |
| HOUSING |        | CONN.1 |   |

- NOTES:
1. WATERPROOF RATE: IP67  
IP67: IMMERSED IN 1M WATER FOR 30 MINUTES
  2. RATING: 125V 1.5A
  3. TEMPERATURE RANGE: -20°C TO +80°C
  4. OTHER GENERAL SPEC.: TO REFER "RJ45 SERIES SPEC."
  5. TO CONFORM TO SINGATRON HAZARDOUS SUBSTANCE FREE SPEC.
  6. GREEN PRODUCT IDENTIFICATION LABEL ON PACKAGING:
  7. FOR PANEL THICKNESS MAX OF 5.5mm

|    |                  |     |                   |                 |
|----|------------------|-----|-------------------|-----------------|
| K  | TERMINAL         | 6   | PHOSPHOR BRONZE   | TIN PLATED      |
| J  | HOUSING          | 1   | NYLON 66 UL 94V-0 | WHITE           |
| I  | HEAT SHRINK TUBE | 1   | Ø5.0 125°C 300V   | BLACK           |
| H  | WIRE             | 6   | UL1007 24AWG      | SEE PIN OUT     |
| G  | LIQUID GLUE      | 1   | N/A               | BLACK           |
| F  | UV GLUE          | 1   | N/A               | N/A             |
| E  | GASKET           | 1   | EPDM              | BLACK           |
| D  | NUT              | 1   | NYLON+30%GF       | BLACK           |
| C  | SCREW            | 1   | SUS 304           | N/A             |
| B  | RJ45+PCB         | 1   | N/A               | N/A             |
| A  | BODY             | 1   | NYLON+30%GF 94V-0 | BLACK           |
| NO | DESCRIPTION      | QTY | MATERIAL          | PLATING & COLOR |



|                                       |                  |  |                         |
|---------------------------------------|------------------|--|-------------------------|
| UNLESS OTHERWISE SPECIFIED TOLERANCES |                  | Singatron Enterprise Co., Ltd.<br>信登企業股份有限公司 |                         |
| TITLE                                 | RJ45 JACK + PLUG |  |                         |
| DWN                                   | Jun              | PART NO.:                                    | 27J3003-W051C9H         |
| CHKD                                  | JF               | SCALE:                                       | 2:1 UNIT: mm            |
| APVD                                  | Steve            | SIZE:  | A3 SHEET: 1 OF 1 REV: A |

PIN ASSIGNMENTS  
FRONT VIEW

RECOMMENDED PANEL CUT-OUT

CUSTOMER COPY