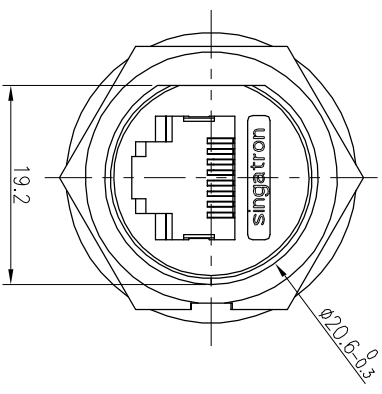
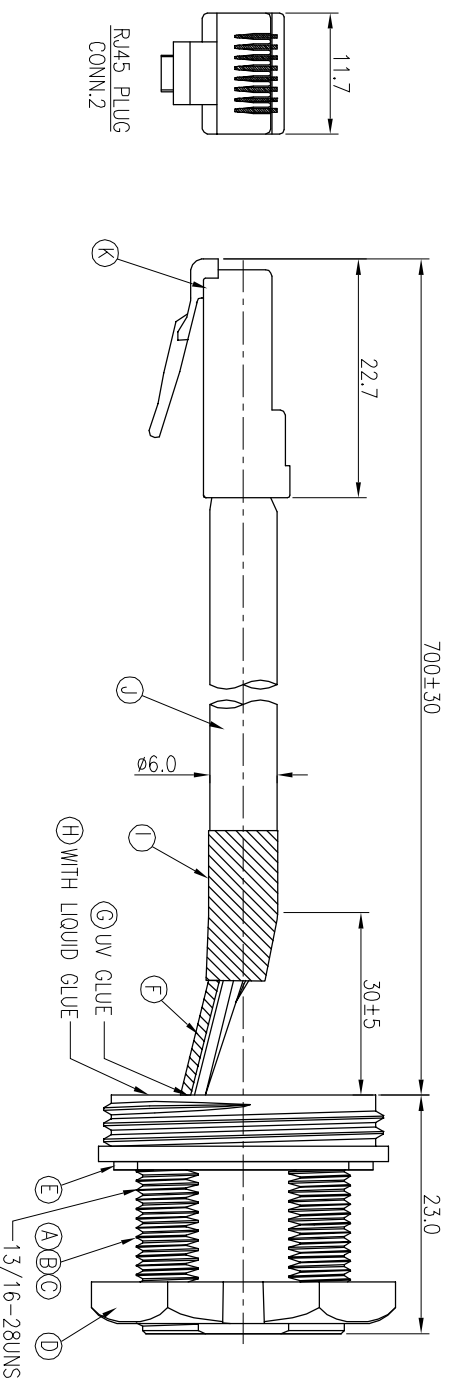


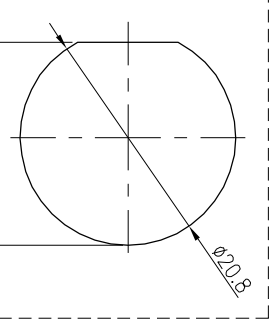
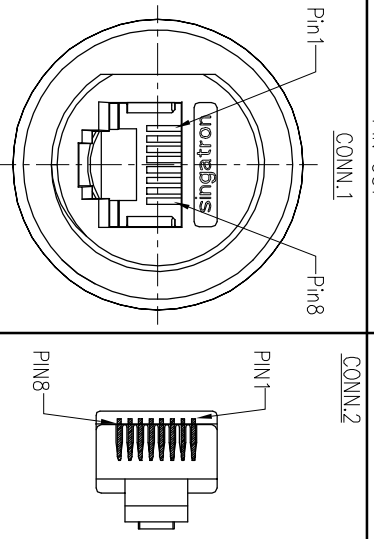
REV.	ECN NO.	OR DESCRIPTION	REVISED	DATE
A	PDR NO.:	A180118-1A	Vicky	2018.01.19



CONN.2	WIRE COLOR	CONN.1
1	BROWN	1
2	BROWN/WHITE	2
3	GREEN	3
4	BLUE/WHITE	4
5	BLUE	5
6	GREEN/WHITE	6
7	ORANGE	7
8	ORANGE/WHITE	8
DRAIN		
SHELL		

- NOTES:
1. WATERPROOF RATE: IP67
 2. TEMPERATURE RANGE: -20°C TO +80°C
 3. OTHER GENERAL SPEC.: TO REFER "RJ45 SERIES SPEC."
 4. OTHER GENERAL SPEC.: TO REFER "RJ45 SERIES SPEC."
 5. TO CONFORM TO SINGATRON HAZARDOUS SUBSTANCE FREE SPEC.
 6. GREEN PRODUCT IDENTIFICATION LABEL ON PACKAGING:
 7. FOR PANEL THICKNESS MAX OF 5.5mm

NO	DESCRIPTION	QTY	MATERIAL	PLATING & COLOR
A	HOUSING	1	NYLON+30%GF 94V-0	BLACK
B	RJ45+PCB	1	N/A	N/A
C	SCREW	1	SUS 304	N/A
D	NUT	1	NYLON+30%GF	BLACK
E	GASKET	1	EPDM	BLACK
F	TUBE	1	Ø1.0 125°C 300V L=35	BLACK
G	UV GLUE	1	N/A	N/A
H	LIQUID GLUE	1	N/A	BLACK
I	TUBE	1	Ø7.0 125°C 300V L=15	BLACK
J	CABEL	1	CAT5E FTP 24#*4P+MY+D +A/M UV RESISTANT	BLACK(PVC JACKET)
K	RJ45 PLUG	1	8P8C	GOLD PLATING



UNLESS OTHERWISE SPECIFIED TOLERANCES

DECIMALS:	ANGLES:
X :±0.5	X :±2°
X.X :±0.3	X.X :±1°
X.XX :±0.2	

TITLE	RJ45 JACK + PLUG
DWN	JF
CHKD	Vicky
APVD	William
PART NO.	27J3003-W051D0H
SCALE	2:1
UNIT	mm
SIZE	A3
SHEET	1 OF 1
REV	A