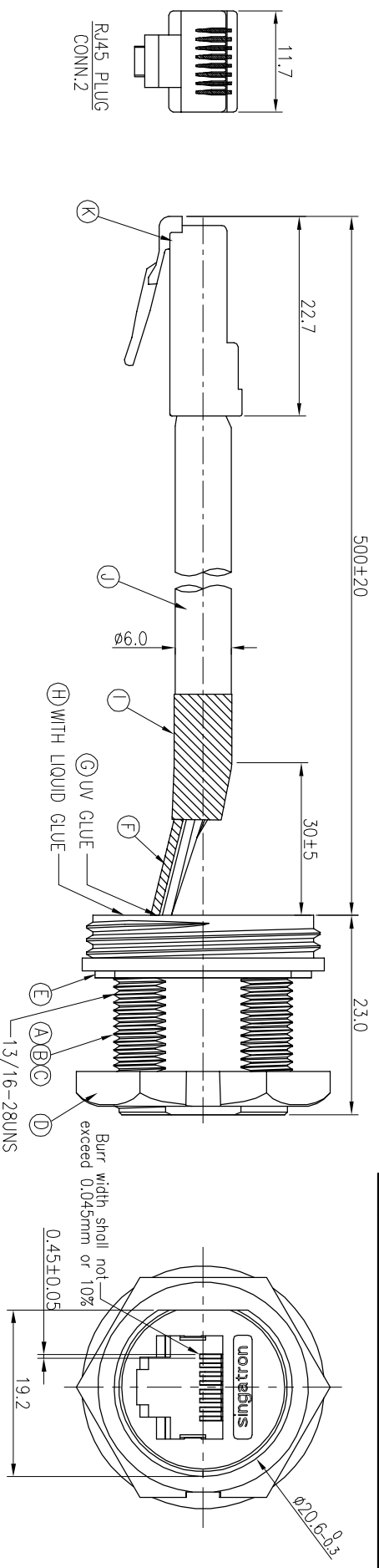


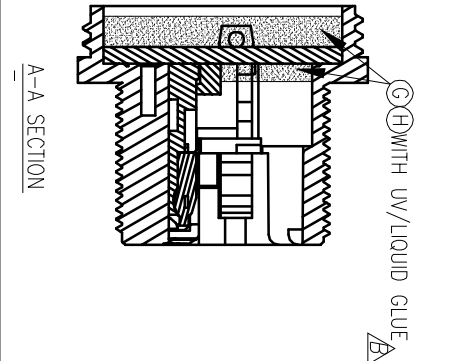
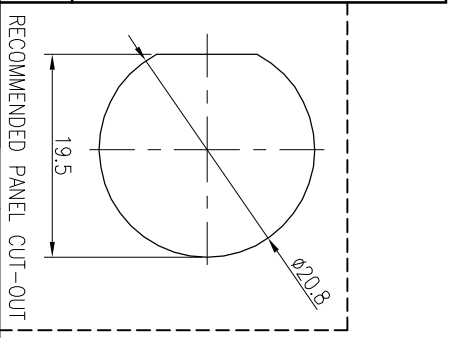
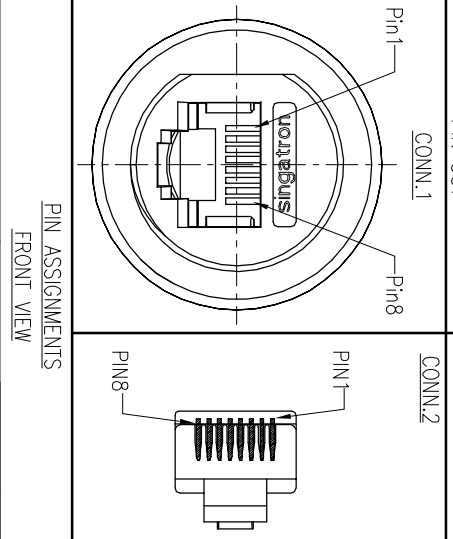
REV.	ECN NO.	OR DESCRIPTION	REVISED	DATE
A	PDR NO.:A180313-4A		Vicky	2018.03.15
B	ECN NO.:S202302-C13		JAY	2023.02.22



WATERPROOF RATE: IP67

CONN.2	WIRE COLOR	CONN.1
1	BROWN	1
2	BROWN/WHITE	2
3	GREEN	3
4	BLUE/WHITE	4
5	BLUE	5
6	GREEN/WHITE	6
7	ORANGE	7
8	ORANGE/WHITE	8

- NOTES:
1. WATERPROOF RATE: IP67
 2. RATING: 125V 1.5A
 3. TEMPERATURE RANGE: -20°C TO +80°C
 4. OTHER GENERAL SPEC.: TO REFER "RJ45 SERIES SPEC."
 5. TO CONFORM TO SINGATRON HAZARDOUS SUBSTANCE FREE SPEC.
 6. GREEN PRODUCT IDENTIFICATION LABEL ON PACKAGING:
 7. FOR PANEL THICKNESS MAX OF 5.5mm



K	RJ45 PLUG	1	RJ45 FTP PLUG	N/A
J	CABEL	1	CAT5E FTP 2#*4P+MY+D +A/M UV RESISTANT	BLACK(PVC JACKET)
I	TUBE	1	Ø7.0 125°C 300V L=15	BLACK
H	LIQUID GLUE	2	N/A	BLACK
G	UV GLUE	1	N/A	N/A
F	TUBE	1	Ø1.0 125°C 300V L=35	BLACK
E	GASKET	1	SILICONE	DARK GRAY
D	NUT	1	NYLON+30%GF	BLACK
C	SCREW	1	SUS 304	N/A
B	RJ45+PCB	1	N/A	N/A
A	HOUSING	1	NYLON+30%GF 94V-0	BLACK
NO	DESCRIPTION	QTY	MATERIAL	PLATING & COLOR

UNLESS OTHERWISE SPECIFIED TOLERANCES

DECIMALS: ANGLES:

X :±0.5 X :±2°
X.X :±0.3 X.X :±1°
X.XX :±0.2 X.XX :±0.2

Singatron Enterprise Co., Ltd.
信亨企業股份有限公司

RJ45 JACK + PLUG

TITLE: PART NO.:2TJ3003-W051D4H

DWN: JAY

CHKD: MF

APVD: JF

SCALE 2:1 UNIT: mm

SIZE: A3 SHEET: 1 OF 1 REV: B

CUSTOMER COPY