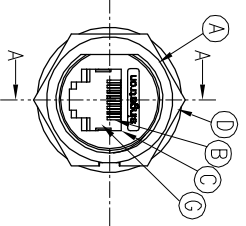
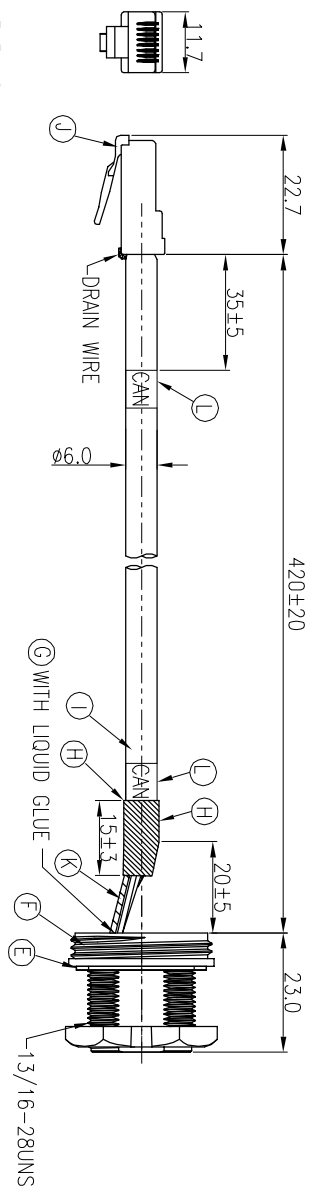
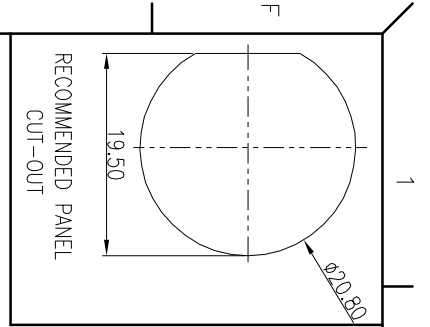


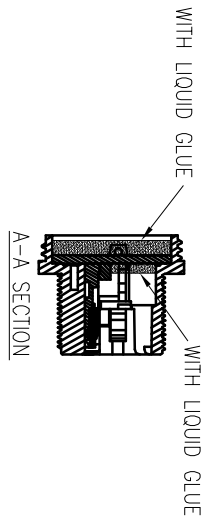
REV/ECN NO OR DESCRIPTION	REVISED	DATE
A PDR NO.:A180409-9A	Vicky	2018.04.19



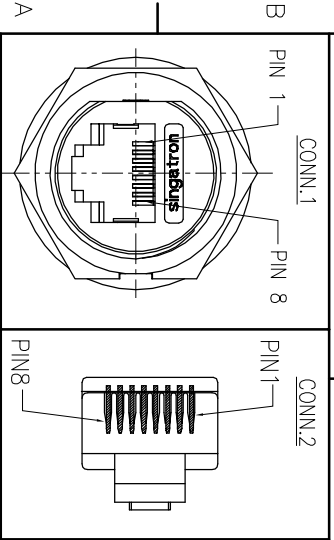
RJ45 PLUG
CONN.2

WATERPROOF RATE: IP67

SHIELD	DRAIN	SHIELD
1	ORANGE/WHITE	1
2	ORANGE	2
3	GREEN/WHITE	3
4	BLUE	4
5	BLUE/WHITE	5
6	GREEN	6
7	BROWN/WHITE	7
8	BROWN	8
CONN.1	WIRE COLOR	CONN.2



L	TUBE	2	PVC(管#)	WHITE
K	TUBE	1	Ø1.0 125°C 300V	BLACK
J	RJ45 PLUG	1	8P8C SHIELD	GOLD PLATING
I	CABEL	1	UL CAT5E FTP 24#* 4P+D+AL/MY OD:6.0	BLACK(PVC JACKET)
H	TUBE	1	Ø7.0*15 125°C 300V	BLACK
G	LIQUID GLUE	2	N/A	BLACK
F	SCREW	1	ST2.2*5.0	N/A
E	GASKET	1	SILICONE	BLACK
D	NUT	1	NYLON+GF	BLACK
C	GROUND	2	BRASS	NICKEL PLATING
B	RJ45	1	N/A	GOLD PLATING
A	HOUSING	1	NYLON+GF	BLACK
NO	DESCRIPTION	QTY	MATERIAL	PLATING & COLOR



- NOTES:
1. WATERPROOF RATE: IP67
IP67: IMMERSED IN 1M WATER FOR 30 MINUTES
 2. RATING:125V 1.5A
 3. OTHER GENERAL SPEC. TO REFER "RJ45 SERIES SPEC."
 4. TO CONFORM TO SINGATRON HAZARDOUS SUBSTANCE FREE SPEC.
 5. GREEN PRODUCT IDENTIFICATION LABEL ON PACKAGING:
 6. FOR PANEL THICKNESS MAX OF 5.5mm

UNLESS OTHERWISE SPECIFIED TOLERANCES	Singatron Enterprise Co., Ltd. 信亨企業股份有限公司
DECIMALS:	ANGLES:
X :±0.5	X :±.2°
XX :±0.3	XX :±.1°
X:XX :±0.2	
TITLE	RJ45 FRONT MOUNT CONN.+PLUG
DWN	Vicky
CHKD	JF
APVD	William
PART NO.	2TJ3003-W051D6H
SCALE	2:1
UNIT	mm
SHEET	1 OF 1
REV	A

CUSTOMER COPY