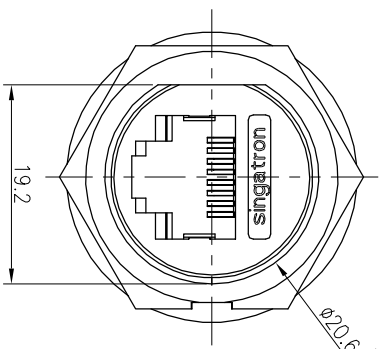
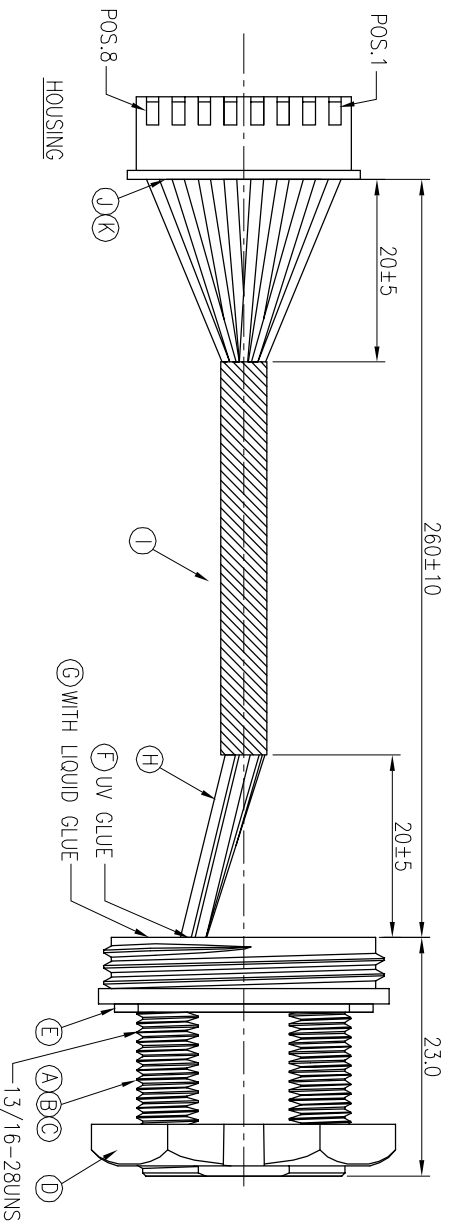


REV	ECN NO	OR DESCRIPTION	REVISED	DATE
A	PDR	NO.:A180730-9A	Jun	2018.11.19



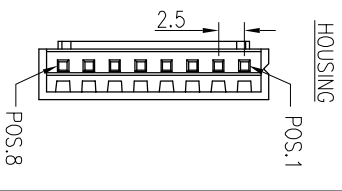
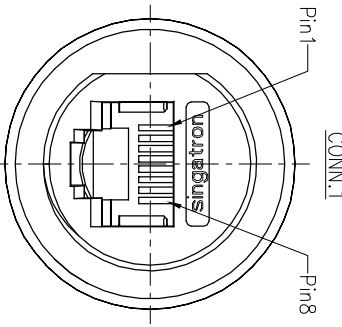
CONN.1  
WATERPROOF RATE: IP67

8	ORANGE	1
7	WHITE	2
6	BLUE	3
5	GREEN	4
4	BROWN	5
3	YELLOW	6
2	RED	7
1	BLACK	8

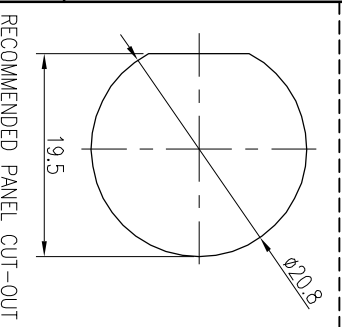
HOUSING  
1  
WIRE COLOR  
CONN.1

- NOTES:
1. WATERPROOF RATE: IP67  
IP67: IMMersed IN 1M WATER FOR 30 MINUTES
  2. RATING:125V 1.5A
  3. TEMPERATURE RANGE:-20°C TO +80°C
  4. OTHER GENERAL SPEC. TO REFER "RJ45 SERIES SPEC."
  5. TO CONFORM TO SINGATRON HAZARDOUS SUBSTANCE FREE SPEC.
  6. GREEN PRODUCT IDENTIFICATION LABEL ON PACKAGING:
  7. FOR PANEL THICKNESS MAX OF 5.5mm

CONN.1



PIN ASSIGNMENTS  
FRONT VIEW



RECOMMENDED PANEL CUT-OUT

K	TERMINAL	8	PHOSPHOR BRONZE	TIN PLATED
J	HOUSING	1	NYLON 66 UL 94V-0	WHITE
I	HEAT SHRINK TUBE	1	Ø5.0 125°C 300V	BLACK
H	WIRE	8	UL1007 24AWG	SEE PIN OUT
G	LIQUID GLUE	1	N/A	BLACK
F	UV GLUE	1	N/A	N/A
E	GASKET	1	EPDM	BLACK
D	NUT	1	NYLON+30%GF	BLACK
C	SCREW	1	SUS 304	N/A
B	RJ45+PCB	1	N/A	N/A
A	BODY	1	NYLON+30%GF 94V-0	BLACK
NO	DESCRIPTION	QTY	MATERIAL	PLATING & COLOR

UNLESS OTHERWISE SPECIFIED TOLERANCES

Singatron Enterprise Co., Ltd.  
信登企業股份有限公司

DECIMALS:	ANGLES:
X :±0.5	X :±2°
X.X :±0.3	X.X :±1°
X.XX :±0.2	

TITLE	PART NO.21733003-W051E4H		
DWN Jun	SCALE 2:1	UNIT: mm	
CHKD Jf	SIZE: A3	SHEET: 1 OF 1	REV: A
APVD William	CUSTOMER COPY		

