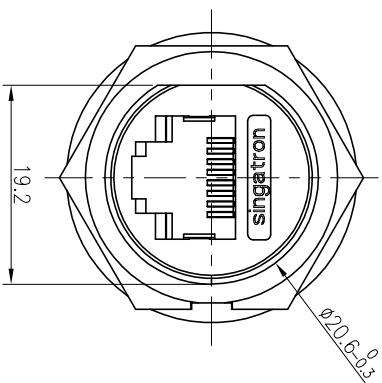
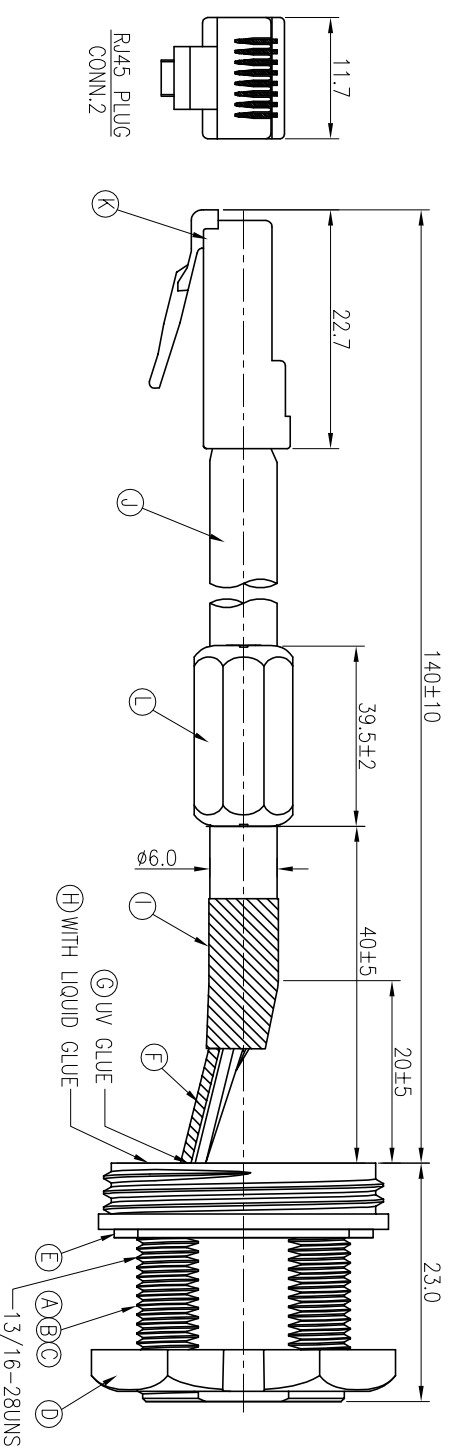


REV.	ECN NO.	OR DESCRIPTION	REVISED	DATE
A	PDR NO.:A181114-3A	TZ		2018.11.15
B	ECN NO.:A190506-C	RZ		2019.06.25
C	ECN NO.:S202005-C12	JAY		2020.05.20

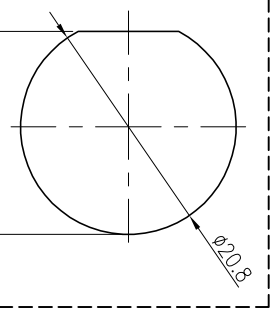
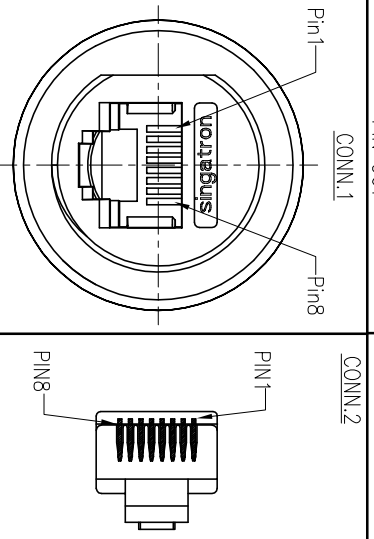


CONN.1
WATERPROOF RATE: IP67

	DRAIN	SHELL
8	ORANGE/WHITE	8
7	ORANGE	7
6	GREEN/WHITE	6
5	BLUE	5
4	BLUE/WHITE	4
3	GREEN	3
2	BROWN/WHITE	2
1	BROWN	1

- NOTES:
1. WATERPROOF RATE: IP67
 2. RATING: 125V 1.5A
 3. TEMPERATURE RANGE: -20°C TO +80°C
 4. OTHER GENERAL SPEC. TO REFER "RJ45 SERIES SPEC."
 5. TO CONFORM TO SINGATRON HAZARDOUS SUBSTANCE FREE SPEC.
 6. GREEN PRODUCT IDENTIFICATION LABEL ON PACKAGING: **GR-PASS**
 7. FOR PANEL THICKNESS MAX OF 5.5mm

L	CORE	1	FAIR-RITE 0431164281	BLACK
K	RJ45 PLUG	1	8P8C	GOLD PLATING
J	CABEL	1	CAT5E FTP 24#*4P+MY+D +A/M UV RESISTANT	BLACK(PVC JACKET)
I	TUBE	1	φ8.0 125°C 300V L=15	BLACK
H	LIQUID GLUE	1	N/A	BLACK
G	UV GLUE	1	N/A	N/A
F	TUBE	1	φ1.0 125°C 300V L=20	BLACK
E	GASKET	1	EPDM	BLACK
D	NUT	1	NYLON+30%GF	BLACK
C	SCREW	1	SUS 304	N/A
B	RJ45+PCB	1	N/A	N/A
A	HOUSING	1	NYLON+30%GF 94V-0	BLACK
NO	DESCRIPTION	QTY	MATERIAL	PLATING & COLOR



Singatron Enterprise Co., Ltd.
信登企業股份有限公司

TITLE	DECIMALS:	ANGLES:
RJ45 JACK + PLUG	:±0.5	X :±2°
	:±0.3	X.X :±1°
	:±0.2	X.XX

CUSTOMER COPY