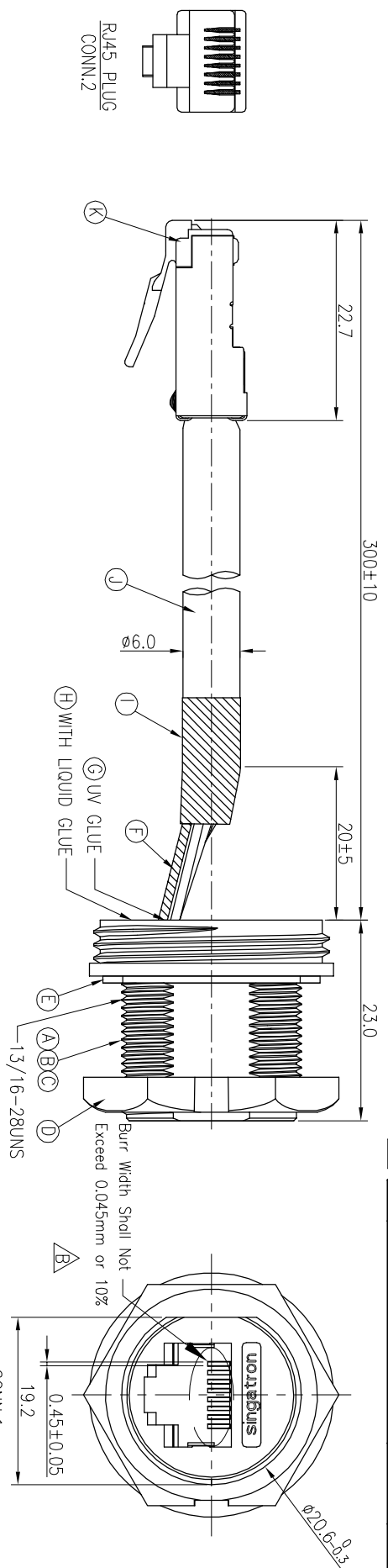


| REV | ECN NO              | OR DESCRIPTION | REVISED | DATE       |
|-----|---------------------|----------------|---------|------------|
| A   | PDR NO.:A190305-4A  |                | Jun     | 2019.04.02 |
| B   | ECN NO.:S202301-C07 |                | Etröd   | 2023.03.06 |

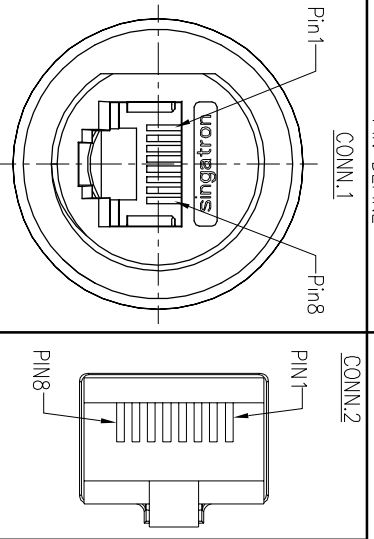


WATERPROOF RATE: IP67

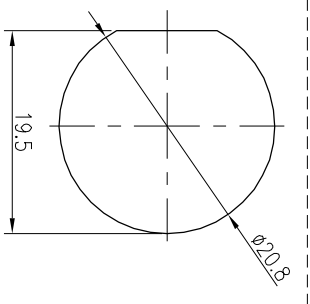
| SHELL | DRAIN        | SHELL |
|-------|--------------|-------|
| 8     | ORANGE/WHITE | 8     |
| 7     | ORANGE       | 7     |
| 6     | GREEN/WHITE  | 6     |
| 5     | BLUE         | 5     |
| 4     | BLUE/WHITE   | 4     |
| 3     | GREEN        | 3     |
| 2     | BROWN/WHITE  | 2     |
| 1     | BROWN        | 1     |

| CONN.2 | WIRE DEFINE  | CONN.1 |
|--------|--------------|--------|
| 1      | BROWN        | 1      |
| 2      | BROWN/WHITE  | 2      |
| 3      | GREEN        | 3      |
| 4      | BLUE/WHITE   | 4      |
| 5      | BLUE         | 5      |
| 6      | GREEN/WHITE  | 6      |
| 7      | ORANGE       | 7      |
| 8      | ORANGE/WHITE | 8      |

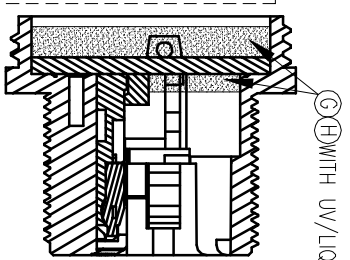
- NOTES:
1. WATERPROOF RATE: IP67
  2. IP67: IMMERSED IN 1M WATER FOR 30 MINUTES
  3. RATING: 125V 1.5A
  4. TEMPERATURE RANGE: -20°C TO +80°C
  5. OTHER GENERAL SPEC. TO REFER "RJ45 SERIES SPEC."
  6. TO CONFORM TO SINGATRON HAZARDOUS SUBSTANCE FREE SPEC.
  7. GREEN PRODUCT IDENTIFICATION LABEL ON PACKAGING: **GREEN PAPER**



PIN ASSIGNMENTS  
FRONT VIEW



RECOMMENDED PANEL CUT-OUT



A-A SECTION

|    |             |     |  |                   |
|----|-------------|-----|--|-------------------|
| K  | RJ45 PLUG   | 1   | RJ45 FTP PLUG                          | N/A               |
| J  | CABEL       | 1   | CAT5E FTP 2#*4P+MY+D +A/M UV RESISTANT | BLACK(PVC JACKET) |
| I  | TUBE        | 1   | ø8.0 125°C 300V L=15                   | BLACK             |
| H  | LIQUID GLUE | 1   | N/A                                    | BLACK             |
| G  | UV GLUE     | 1   | N/A                                    | N/A               |
| F  | TUBE        | 1   | ø1.0 125°C 300V L=20                   | BLACK             |
| E  | GASKET      | 1   | SILICONE                               | DARK GRAY         |
| D  | NUT         | 1   | NYLON+25%GF                            | BLACK             |
| C  | SCREW       | 1   | SUS 304                                | N/A               |
| B  | RJ45+PCB    | 1   | N/A                                    | N/A               |
| A  | HOUSING     | 1   | NYLON+25%GF                            | BLACK             |
| NO | DESCRIPTION | QTY | MATERIAL                               | PLATING & COLOR   |

UNLESS OTHERWISE SPECIFIED TOLERANCES

DECIMALS: ANGLES:

X :±0.5 X :±2°

X.X :±0.3 X.X :±1°

X.XX :±0.2 X.XX :±1°

Suzhou Singatron Auto Electronics CO.,LTD.  
蘇州信登汽車電子有限公司

TITLE RJ45 JACK + PLUG

DWN Etröd PART NO.:2173003-W051G2H

CHKD Jun SCALE 2:1 UNIT: mm

APVD Steve SIZE: A3 SHEET: 1 OF 1 REV: B

CUSTOMER COPY