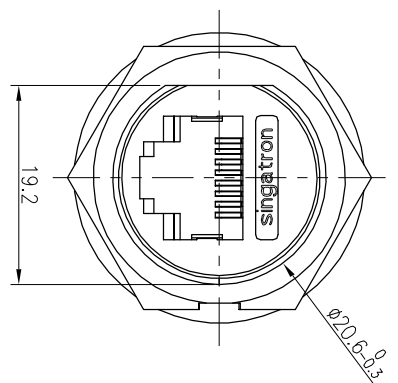
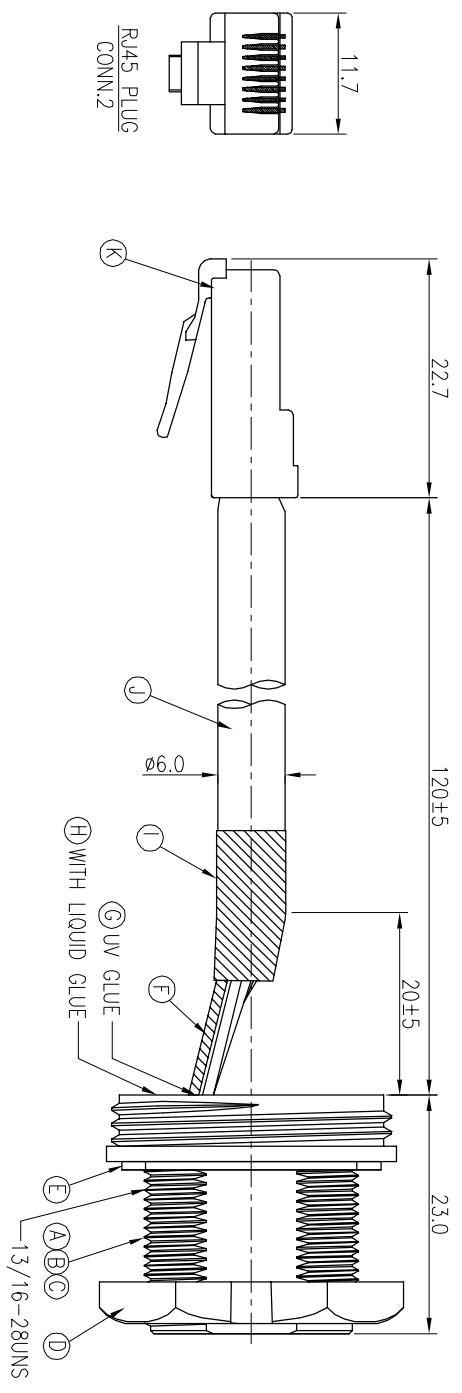


REV.	ECN NO.	OR DESCRIPTION	REVISED	DATE
A	PDR NO.:T190419-3A		RZ	2019.05.09

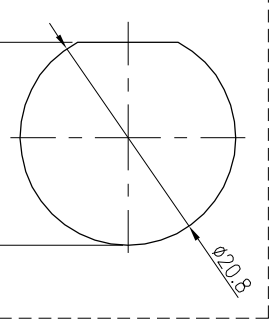
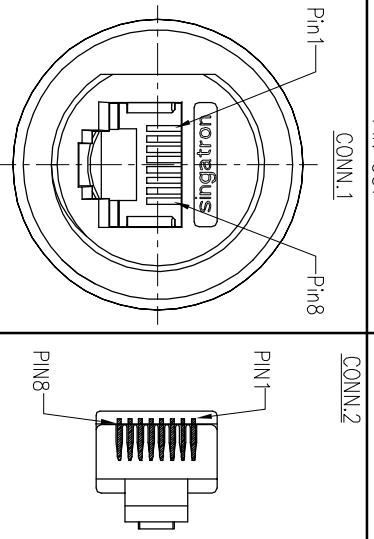


CONN.1
WATERPROOF RATE: IP67

WIRE COLOR	CONN.1	CONN.2
1 BROWN	2	1
2 BROWN/WHITE	3	2
3 GREEN	4	3
4 BLUE/WHITE	5	4
5 BLUE	6	5
6 GREEN/WHITE	7	6
7 ORANGE	8	7
8 ORANGE/WHITE		8
DRAIN	SHELL	

- NOTES:
1. WATERPROOF RATE: IP67
 2. TEMPERATURE RANGE: -20°C TO +80°C
 3. OTHER GENERAL SPEC.: TO REFER "RJ45 SERIES SPEC."
 4. TEMPERATURE RANGE: -20°C TO +80°C
 5. TO CONFORM TO SINGATRON HAZARDOUS SUBSTANCE FREE SPEC.
 6. GREEN PRODUCT IDENTIFICATION LABEL ON PACKAGING: **GREEN PANEL**
 7. FOR PANEL THICKNESS MAX OF 5.5mm

NO	DESCRIPTION	QTY	MATERIAL	PLATING & COLOR
A	HOUSING	1	NYLON+30%GF 94V-0	BLACK
B	RJ45+PCB	1	N/A	N/A
C	SCREW	1	SUS 304	N/A
D	NUT	1	NYLON+30%GF	BLACK
E	GASKET	1	EPDM	BLACK
F	TUBE	1	Ø1.0 125°C 300V L=20	BLACK
G	UV GLUE	1	N/A	N/A
H	LIQUID GLUE	1	N/A	BLACK
I	TUBE	1	Ø8.0 125°C 300V L=15	BLACK
J	CABEL	1	CAT5E FTP 24#*4P+MY+D +A/M UV RESISTANT	BLACK(PVC JACKET)
K	RJ45 PLUG	1	8P8C	GOLD PLATING



TITLE	DECIMALS:	ANGLES:
RJ45 JACK + PLUG	±0.5	±2°
	±0.3	±1°
	±0.2	

UNLESS OTHERWISE SPECIFIED TOLERANCES	SINGATRON ENTERPRISE CO., LTD.
	信亨企業股份有限公司
	SCALE 2:1 UNIT: mm
	SHEET: 1 OF 1 REV: A

CUSTOMER COPY