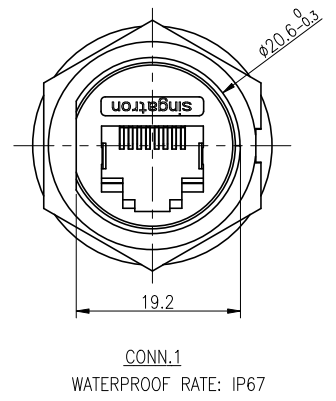
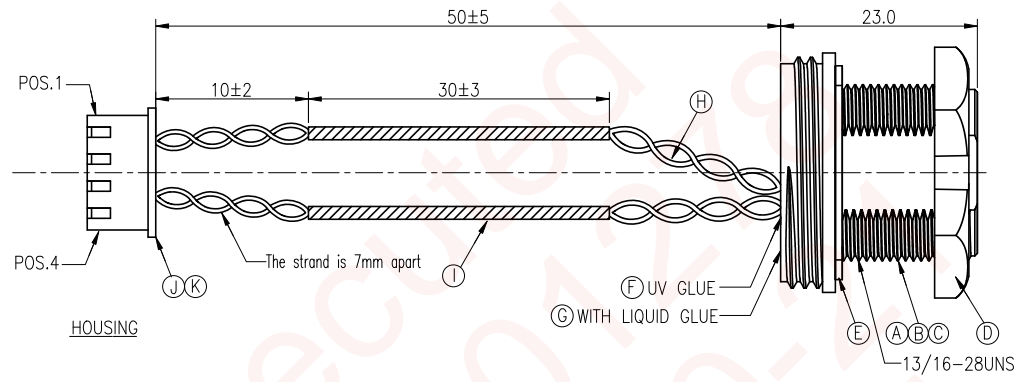


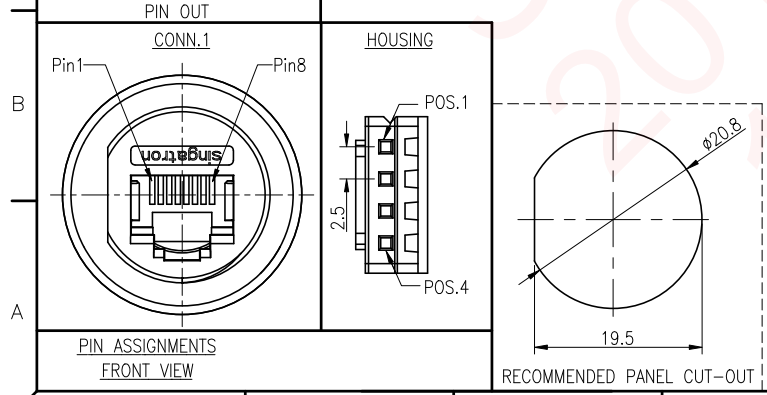
REV.	ECN NO OR DESCRIPTION	REVISED	DATE
A	PDR NO.:A190710-6A	RZ	2019.09.27



- NOTES:
1. WATERPROOF RATE: IP67  
IP67: IMMERSED IN 1M WATER FOR 30 MINUTES
  2. RATING:125V 1.5A
  3. TEMPERATURE RANGE:-20°C TO +80°C
  4. OTHER GENERAL SPEC. TO REFER "RJ45 SERIES SPEC".
  5. TO CONFORM TO SINGATRON HAZARDOUS SUBSTANCE FREE SPEC.
  6. GREEN PRODUCT IDENTIFICATION LABEL ON PACKAGING: **CLP PASS**
  7. FOR PANEL THICKNESS MAX OF 5.5mm

4	BLUE	6
3	YELLOW	3
2	RED	2
1	BLACK	1
HOUSING	WIRE COLOR	CONN.1

K	TERMINAL	4	PHOSPHOR BRONZE	TIN PLATED
J	HOUSING	1	NYLON 66 UL 94V-0	WHITE
I	HEAT SHRINK TUBE	2	$\phi 2.5$ 125°C 300V	BLACK
H	WIRE	4	UL1007 24AWG	SEE PIN OUT
G	LIQUID GLUE	1	N/A	BLACK
F	UV GLUE	1	N/A	N/A
E	GASKET	1	EPDM	BLACK
D	NUT	1	NYLON+30%GF	BLACK
C	SCREW	1	SUS 304	N/A
B	RJ45+PCB	1	N/A	N/A
A	BODY	1	NYLON+30%GF 94V-0	BLACK
NO	DESCRIPTION	QTY	MATERIAL	PLATING & COLOR



UNLESS OTHERWISE SPECIFIED TOLERANCES

DECIMALS: X :±0.5 X.X :±0.3 X.XX :±0.2

ANGLES: X :±2° X.X :±1°

TITLE	RJ45 JACK + PLUG		
DWN	RZ	PART NO.	2TJ3003-W051G8H
CHKD	Cerry	SCALE	2:1 UNIT: mm
APVD	William	SIZE	A3 SHEET:1 OF 1
<b>REV: A</b>			
<b>CUSTOMER COPY</b>			