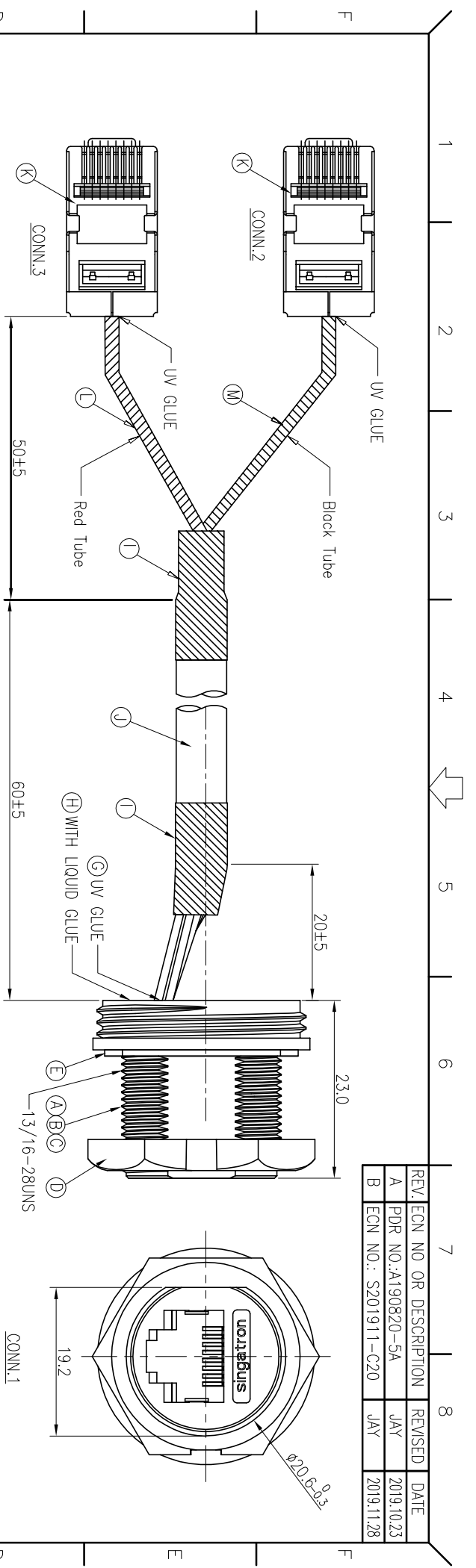


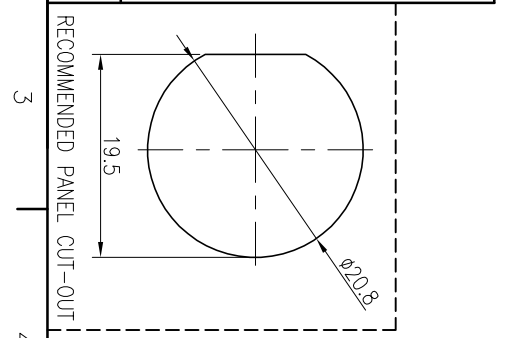
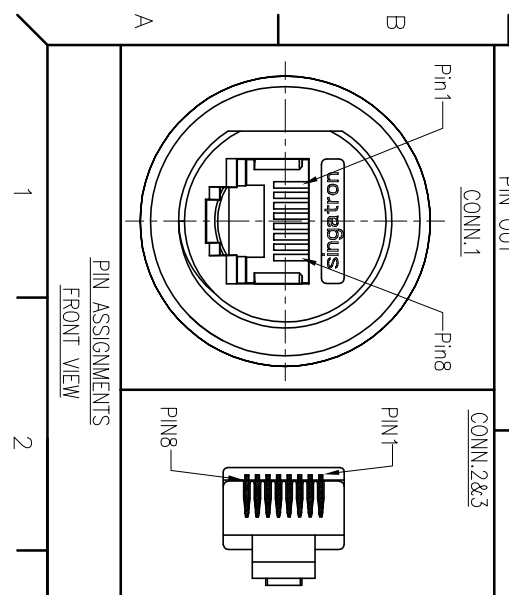
REV.	ECN NO.	OR DESCRIPTION	REVISED	DATE
A	PDR NO.:	A190820-5A	JAY	2019.10.23
B	ECN NO.:	S201911-C20	JAY	2019.11.28




下表數字代表DIN位

/	5	ORANGE/WHITE	8	
/	7	ORANGE	7	TWIST
/	6	GREEN/WHITE	6	
/	5	BLUE	5	TWIST TWIST
4	/	BLUE/WHITE	4	
/	3	GREEN	3	TWIST
/	2	BROWN/WHITE	2	
/	1	BROWN	1	TWIST
CONN.2 CONN.3		WIRE COLOR	CONN.1	
PIN OUT				
CONN.1		CONN.2&3		
Pin1	Pin8		PIN1	

- NOTES:
1. WATERPROOF RATE: IP67
  2. TEMPERATURE RANGE: -20°C TO +80°C
  3. RATING: 125V 1.5A
  4. OTHER GENERAL SPEC. TO REFER "RJ45 SERIES SPEC."
  5. TO CONFORM TO SINGATRON HAZARDOUS SUBSTANCE FREE SPEC.
  6. GREEN PRODUCT IDENTIFICATION LABEL ON PACKAGING: **GR-PASS**
  7. FOR PANEL THICKNESS MAX OF 5.5mm



M	TUBE	1	∅2.0 125°C 300V	BLACK
L	TUBE	1	∅4.0 125°C 300V	RED
K	RJ45 PLUG	2	8P8C	GOLD PLATING
J	CABEL	1	CAT5E FTP 24#*4P+MY+D +A/M UV RESISTANT	BLACK(PVC JACKET)
I	TUBE	2	∅8.0 125°C 300V	BLACK
H	LIQUID GLUE	1	N/A	BLACK
G	UV GLUE	1	N/A	N/A
E	GASKET	1	EPDM	BLACK
D	NUT	1	NYLON+30%GF	BLACK
C	SCREW	1	SUS 304	N/A
B	RJ45+PCB	1	N/A	N/A
A	HOUSING	1	NYLON+30%GF	BLACK
NO	DESCRIPTION	QTY	MATERIAL	PLATING & COLOR
UNLESS OTHERWISE SPECIFIED TOLERANCES				
 Singatron Enterprise Co., Ltd. 信登企業股份有限公司				
TITLE		RJ45 JACK + PLUG		
DWN	JAY	PART NO.:	2JT3003-W051G9H	
CHKD	Cerry	SCALE 2:1	UNIT:	mm
APVD	William	SIZE: A3	SHEET: 1 OF 1	REV: B
CUSTOMER COPY				

DECIMALS:	ANGLES:
X : ±0.5	X : ±2°
X.X : ±0.3	X.X : ±1'
X.XX : ±0.2	