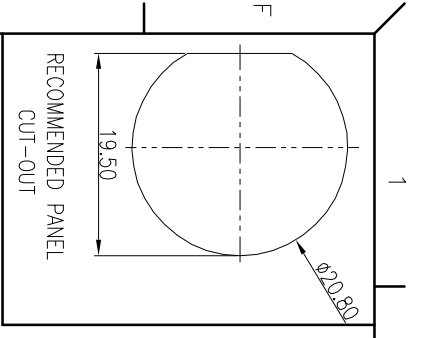
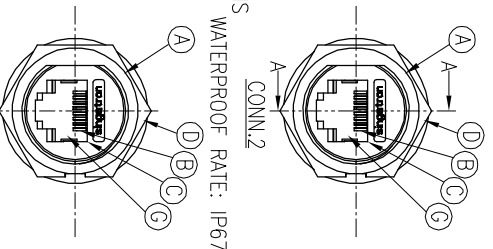
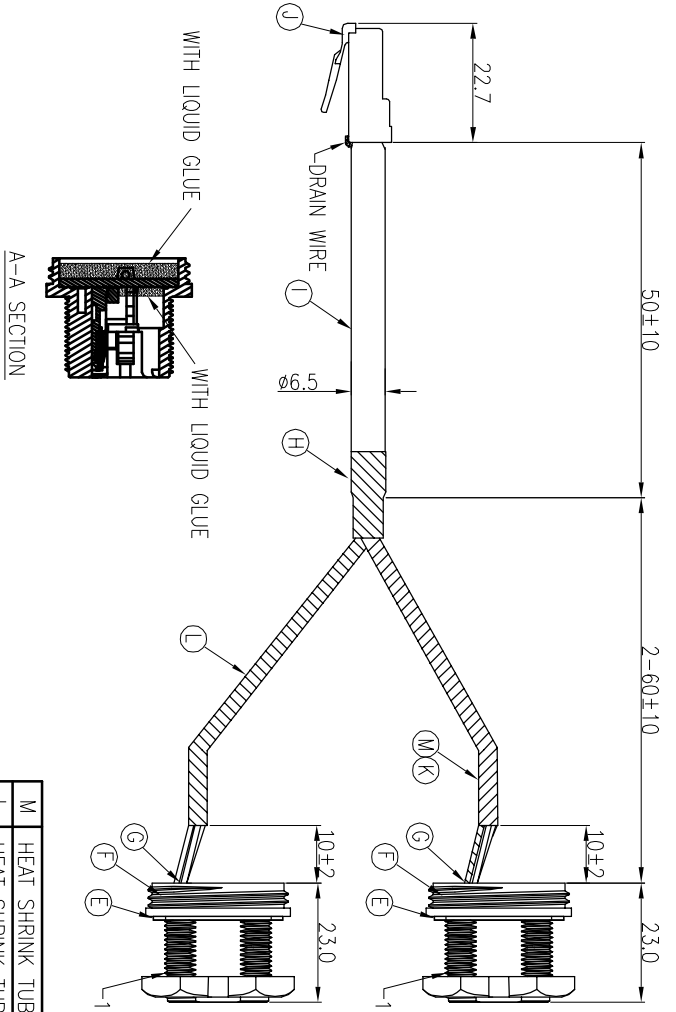
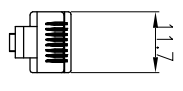


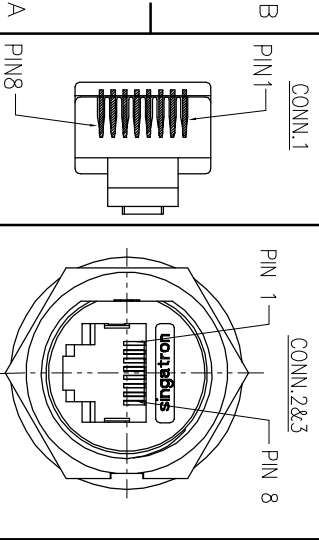
REV.	ECN NO.	OR DESCRIPTION	REVISED	DATE
A	PDR NO.:	A190829-2A	Vicky	2019.10.24



1	DRAIN	SHIELD	SHIELD
2	ORANGE/WHITE	2	1
3	ORANGE	3	
4	GREEN/WHITE	4	
5	BLUE	5	
6	BLUE/WHITE	6	
7	GREEN	7	
8	BROWN/WHITE	8	
8	BROWN	8	
CONN.1 WIRE COLOR		CONN.2	CONN.3
PIN OUT			



M	HEAT SHRINK TUBE	1	Ø4.0 125°C 300V	RED
L	HEAT SHRINK TUBE	1	Ø3.0 125°C 300V	BLACK
K	HEAT SHRINK TUBE	1	Ø1.0 125°C 300V	BLACK
J	RJ45 PLUG	1	8P8C SHIELD	GOLD PLATING
I	CABEL	1	CAT5E FTP 24#*4P+MY+D +A/M UV RESISTANT	BLACK(PVC JACKET)
H	HEAT SHRINK TUBE	1	Ø7.0 125°C 300V L=15	BLACK
G	LIQUID GLUE	4	N/A	BLACK
F	SCREW	2	SUS 304	N/A
E	GASKET	2	EPDM	BLACK
D	NUT	2	PA66	BLACK
C	GROUND	4	BRASS	NICKEL PLATING
B	PCB	2	FR-4	GREEN
A	HOUSING	2	NYLON+GF	BLACK
NO	DESCRIPTION	QTY	MATERIAL	PLATING & COLOR



- NOTES:
1. WATERPROOF RATE: IP67
 2. IP67: IMMERSED IN 1M WATER FOR 30 MINUTES
 3. RATING: 125V 1.5A
 4. OTHER GENERAL SPEC. TO REFER "RJ45 SERIES SPEC."
 5. TO CONFORM TO SINGATRON HAZARDOUS SUBSTANCE FREE SPEC.
 6. GREEN PRODUCT IDENTIFICATION LABEL ON PACKAGING:
 6. FOR PANEL THICKNESS MAX OF 5.5mm

UNLESS OTHERWISE SPECIFIED TOLERANCES	DECIMALS:	ANGLES:	TITLE
	X : ±0.5	X : ±2°	RJ45 FRONT MOUNT CONN.+PLUG
	XX : ±0.3	XX : ±1°	DWN Vicky
	X:XX : ±0.2		CHKD JF
			APVD William

Singatron Enterprise Co., Ltd.
信亨企業股份有限公司

PART NO. 2173003-W051J1H

SCALE 2:1 UNIT: mm

SIZE: A3 SHEET: 1 OF 1 REV: A

CUSTOMER COPY