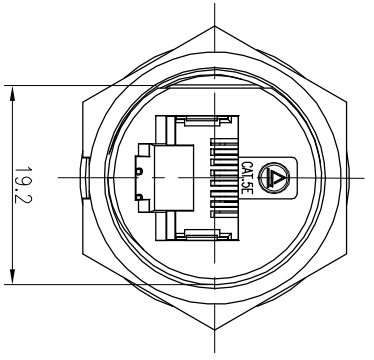
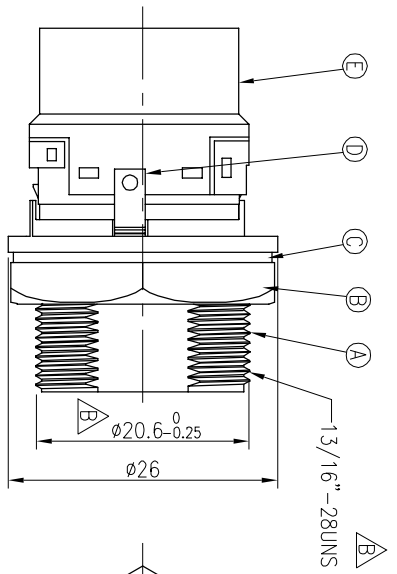
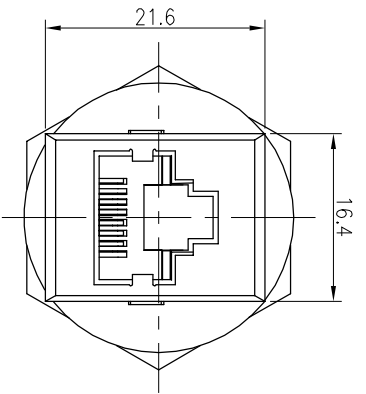

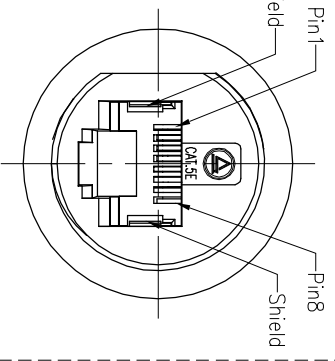
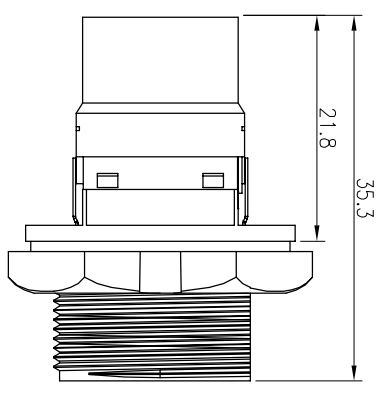


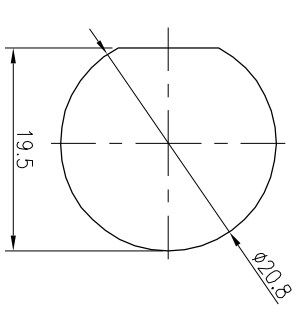
REV	ECN NO	OR DESCRIPTION	REVISED	DATE
A	PDR NO.:A200306-2A	RZ		2020.08.04
B	ECN NO.:S202104-R12	LEI		2021.07.15



- NOTES:
1. WATERPROOF RATE: IP67(WHEN PROPERLY MATED)  
IP67: IMMERSED IN 1M WATER FOR 30 MINUTES
  2. ELECTRICAL CHARACTERISTICS:
    - 1-1. RATING:125V 1.5A
    - 1-2. CONTACT RESISTANCE: 100mΩ MAX.(INITIAL)
    - 1-3. DIELECTRIC WITHSTANDING VOLTAGE: 500V AC FOR ONE MINUTE
    - 1-4. INSULATION RESISTANCE: 100MΩ MIN. MEASURED BY 500 VDC
  3. OTHER GENERAL SPEC. TO REFER "RJ45 SERIES SPEC".
  4. TO CONFORM TO SINGATRON HAZARDOUS SUBSTANCE FREE SPEC.
  5. GREEN PRODUCT IDENTIFICATION LABEL ON PACKAGING: 
  6. FOR PANEL THICKNESS MAX OF 3.5mm




PIN ASSIGNMENTS  
FRONT VIEW



RECOMMENDED PANEL CUT-OUT

E	RJ45 JACK	1	CAT5E STP	N/A
D	GROUND	2	Phosphor Bronze	NICKEL PLATING 60u"
C	GASKET	1	EPDM	BLACK
B	SCREW NUT	1	NYLON	BLACK
A	HOUSING	1	PC	BLACK
NO	DESCRIPTION	QTY	MATERIAL	PLATING & COLOR

UNLESS OTHERWISE SPECIFIED TOLERANCES

 Suzhou Singatron Auto Electronics CO.,LTD.  
蘇州信益汽車電子有限公司

DECIMALS: ANGLES:  
X :±0.5 X :±2'  
X.X :±0.3 X.X :±1'  
X.XX :±0.2

TITLE	WATERPROOF	RJ45 CAT5E STP JACK
DWN	LEI	PART NO.:2TJ3003-W05JJ4H
CHKD	JF	SCALE 2:1 UNIT: mm
APVD	JF	SIZE: A3 SHEET: 1 OF 1 REV: B

CUSTOMER COPY