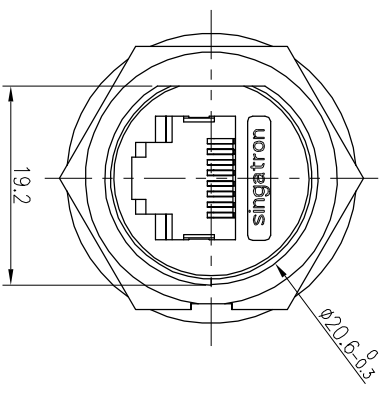
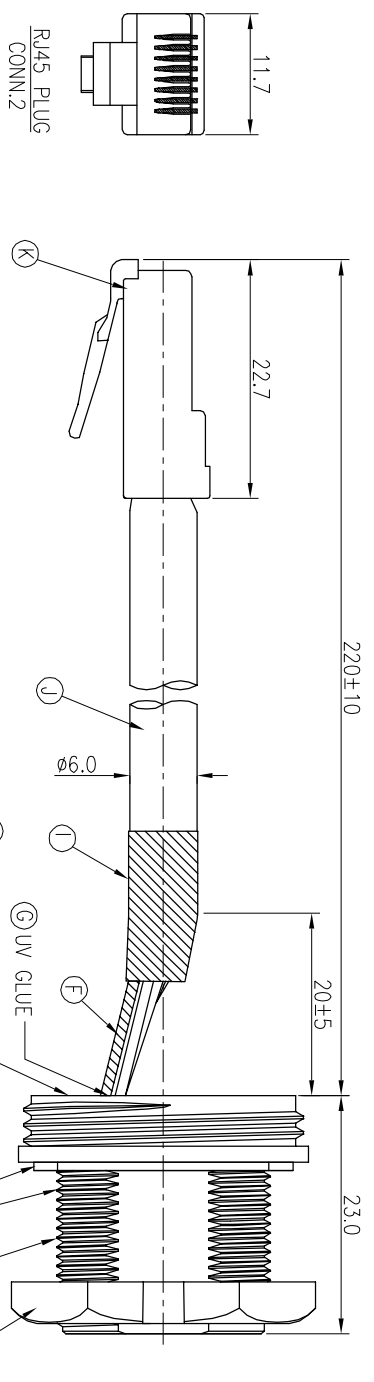


REV.	ECN NO.	OR DESCRIPTION	REVISED	DATE
A	PDR NO.:A191024-4A		MF	2020.05.09

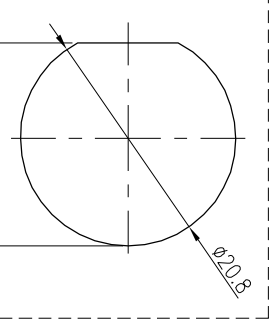
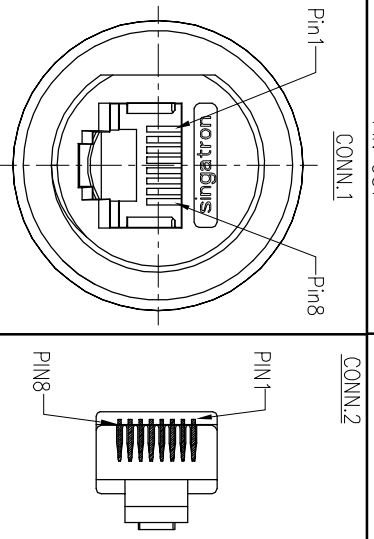


CONN.1
WATERPROOF RATE: IP67

7	ORANGE	ORANGE	8	DRAIN	SHELL
8	ORANGE/WHITE	ORANGE	7	ORANGE	8
6	GREEN/WHITE	GREEN	6	GREEN/WHITE	6
5	BLUE	BLUE	5	BLUE	5
4	BLUE/WHITE	BLUE/WHITE	4	GREEN	3
3	BROWN/WHITE	BROWN	2	BROWN/WHITE	2
2	BROWN	BROWN	1	BROWN	1
1	BROWN	BROWN	1	BROWN	1

- NOTES:
1. WATERPROOF RATE: IP67
 2. RATING: 125V 1.5A
 3. TEMPERATURE RANGE: -20°C TO +80°C
 4. OTHER GENERAL SPEC. TO REFER "RJ45 SERIES SPEC."
 5. TO CONFORM TO SINGATRON HAZARDOUS SUBSTANCE FREE SPEC.
 6. GREEN PRODUCT IDENTIFICATION LABEL ON PACKAGING:
 7. FOR PANEL THICKNESS MAX OF 5.5mm

K	RJ45 PLUG	1	8P8C	GOLD PLATING
J	CABEL	1	CAT5 FTP 24#*4P+MY+D +A/M UV RESISTANT	BLACK(PVC JACKET)
I	TUBE	1	Ø8.0 125°C 300V L=15	BLACK
H	LIQUID GLUE	1	N/A	BLACK
G	UV GLUE	1	N/A	N/A
F	TUBE	1	Ø1.0 125°C 300V L=20	BLACK
E	GASKET	1	EPDM	BLACK
D	NUT	1	NYLON+30%GF	BLACK
C	SCREW	1	SUS 304	N/A
B	RJ45+PCB	1	N/A	N/A
A	HOUSING	1	NYLON+30%GF 94V-0	BLACK
NO	DESCRIPTION	QTY	MATERIAL	PLATING & COLOR



PIN ASSIGNMENTS
FRONT VIEW

Singatron Enterprise Co., Ltd.
信登企業股份有限公司

UNLESS OTHERWISE SPECIFIED TOLERANCES

DECIMALS: ANGLES:
X :±0.5 X :±2'
X.X :±0.3 X.X :±1'
X.XX :±0.2

TITLE	RJ45 JACK + PLUG			
DWN	MF	PART NO.	27J3003-W051J5H	
CHKD	Cerry	SCALE	2:1 UNIT: mm	
APVD	William	SIZE: A3	SHEET: 1 OF 1	REV: A

CUSTOMER COPY