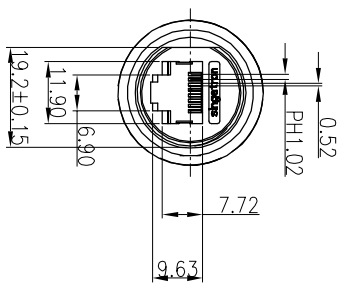
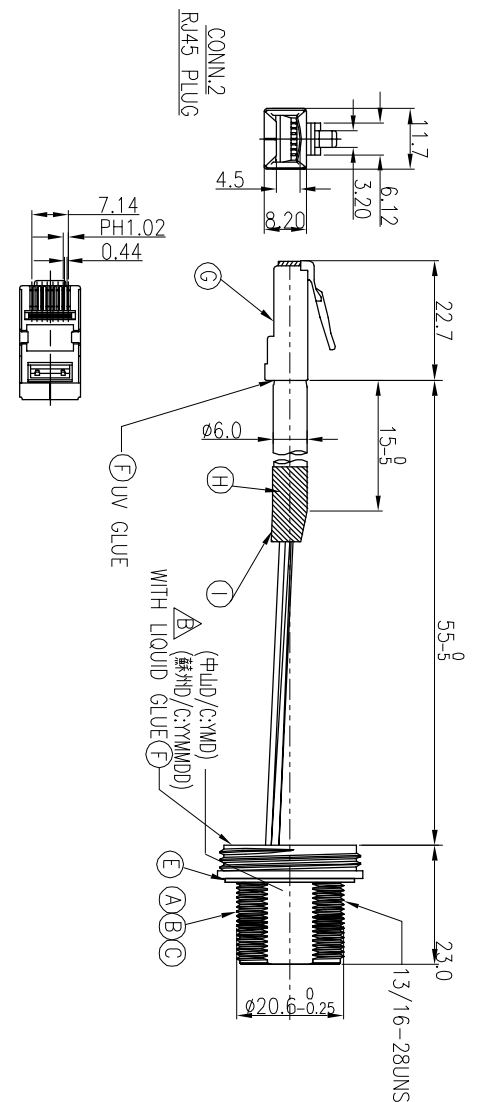
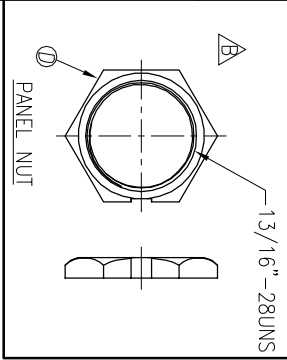
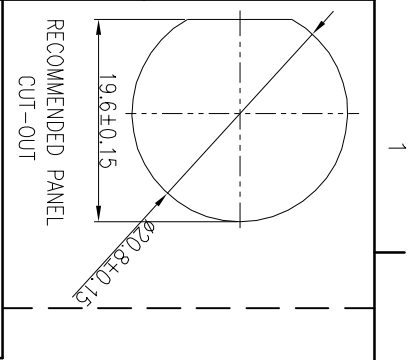
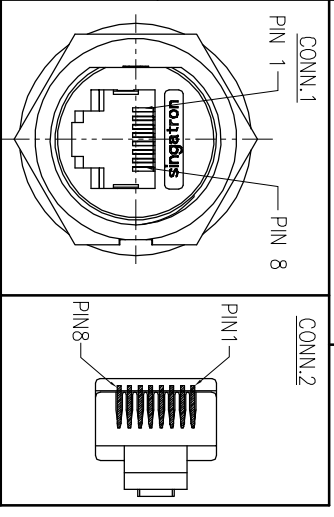
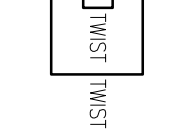


REV.	ECN NO OR DESCRIPTION	REVISED	DATE
A	PDR NO.:C200109-1C	JAY	2021.05.18
B	ECN NO.:S202305-C17	JAY	2023.05.31



CONN.1	WIRE COLOR	CONN.2
6	GREEN	6
5	BLUE/WHITE	5
4	BLUE	4
3	GREEN/WHITE	3



- NOTES:
1. WATERPROOF RATE: IP67
 2. ELECTRICAL CHARACTERISTICS:
 - 2-1. RATING:125V, 1.5A
 - 2-2. CONTACT RESISTANCE: 3 ohm MAX.(INITIAL)
 - 2-3. DIELECTRIC WITHSTANDING VOLTAGE: 300V AC FOR ONE MINUTE
 - 2-4. INSULATION RESISTANCE: 30Mohm MIN. MEASURED BY 300 VDC
 3. TEMPERATURE RANGE:
 - 40°C To +105°C(ONLY FOR PANEL CONN. & CABLE)
 4. OTHER GENERAL SPEC. TO REFER "RJ45 SERIES SPEC."
 5. TO CONFORM TO SINGATRON HAZARDOUS SUBSTANCE FREE SPEC.
 6. GREEN PRODUCT IDENTIFICATION LABEL ON PACKAGING:
 7. FOR PANEL THICKNESS MAX OF 5.5mm
 8. Torque Force: 1.0 ~1.2 Nm
 9. MECHANICAL CHARACTERISTICS:
 - 9-1. Insertion and withdrawal: 30 N maximum
 - 9-2. Durability 750 Cycles
 10. NUT attachment package shipped

T	HEAT SHINK TUBE	1	φ6.0 125°C 300V	BLACK
H	CABLE	1	CAT5E FTP 24AWG+4P+HV+D+4A/M UV RESISTANT(-40°C~105°C) VW-1	BLACK(PVC JACKET)
G	RJ45 PLUG	1	8P8C UNSHIELD	Au 50u" ON CONTACT AREA
F	LIQUID GLUE	2	N/A	BLACK
E	GASKET	1	SILICON(SHIN-ETISU KE5612) MOLDED IN DAYUAN	DARK GRAY
D	PANEL NUT	1	PA66+GF	BLACK
C	SCREW	1	STAINLESS STEEL	N/A
B	RJ45+PCB	1	CAT.5e	Au 50u" ON CONTACT AREA
A	BODY	1	PA66+GF	BLACK
NO	DESCRIPTION	QTY	MATERIAL	PLATING & COLOR

UNLESS OTHERWISE SPECIFIED TOLERANCES

DECIMALS: ANGLES: X:±0.5 X:±2° X.X:±0.3 X.X:±1' X:XX:±0.2

APVD Steve SIZE: A3 SHEET: 1 OF 1 REV: B

CUSTOMER COPY

Suzhou Singatron Auto Electronics CO.,LTD.
蘇州信益汽車電子有限公司