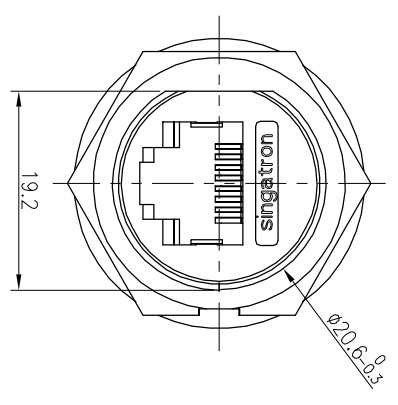
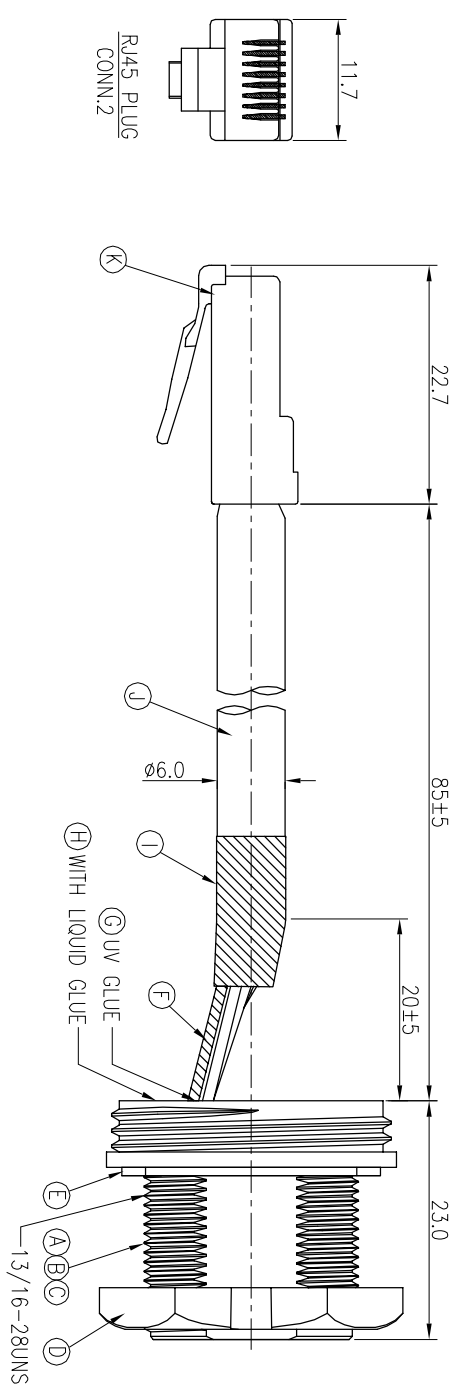
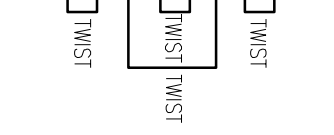


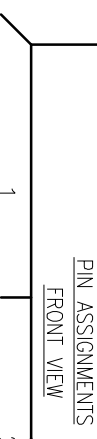
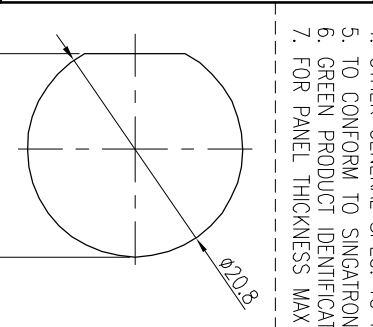
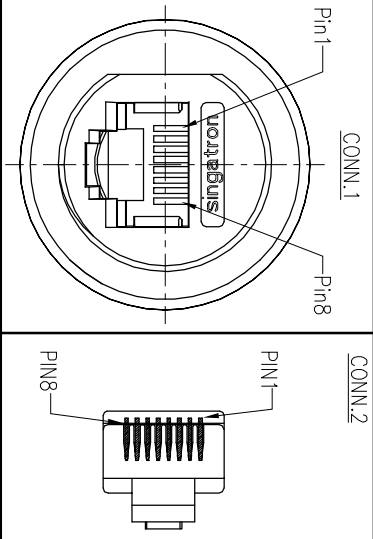
REV.	ECN NO OR DESCRIPTION	REVISED	DATE
A	PDR NO.:T200423-1A	MF	2020.07.08



DRAIN	SHELL
8 ORANGE/WHITE	8
7 ORANGE	7
6 GREEN/WHITE	6
5 BLUE	5
4 BLUE/WHITE	4
3 GREEN	3
2 BROWN/WHITE	2
1 BROWN	1
CONN.2 WIRE COLOR	CONN.1
1 BROWN	1
2 BROWN/WHITE	2
3 GREEN	3
4 BLUE/WHITE	4
5 BLUE	5
6 GREEN/WHITE	6
7 ORANGE	7
8 ORANGE/WHITE	8



- NOTES:
1. WATERPROOF RATE: IP67
IP67: IMMERSED IN 1M WATER FOR 30 MINUTES
 2. RATING:125V 1.5A
 3. TEMPERATURE RANGE: -20°C TO +80°C
 4. OTHER GENERAL SPEC. TO REFER "RJ45 SERIES SPEC."
 5. TO CONFORM TO SINGATRON HAZARDOUS SUBSTANCE FREE SPEC.
 6. GREEN PRODUCT IDENTIFICATION LABEL ON PACKAGING: **GREEN**
 7. FOR PANEL THICKNESS MAX OF 5.5mm



NO	DESCRIPTION	QTY	MATERIAL	PLATING & COLOR
K	RJ45 PLUG	1	8P8C	GOLD PLATING
J	CABEL	1	CAT5E FTP 24#*4P+MY+D +A/M UV RESISTANT	BLACK(PVC JACKET)
I	TUBE	1	125°C 300V	BLACK
H	LIQUID GLUE	1	N/A	BLACK
G	UV GLUE	1	N/A	N/A
F	TUBE	1	125°C 300V	BLACK
E	GASKET	1	EPDM	BLACK
D	NUT	1	NYLON	BLACK
C	SCREW	1	SUS 304	N/A
B	RJ45+PCB	1	N/A	N/A
A	HOUSING	1	NYLON	BLACK
NO	DESCRIPTION	QTY	MATERIAL	PLATING & COLOR

UNLESS OTHERWISE SPECIFIED TOLERANCES

DECIMALS:	ANGLES:
X :±0.5	X :±2°
X.X :±0.3	X.X :±1°
X.XX :±0.2	

TITLE	RJ45 JACK + PLUG
DWN	MF
CHKD	Cerry
APVD	William
PART NO.	27J3003-N0511H
SCALE	2:1
UNIT	mm
SIZE	A3
SHEET	1 OF 1
REV.	A

Singatron Enterprise Co., Ltd.
信登企業股份有限公司