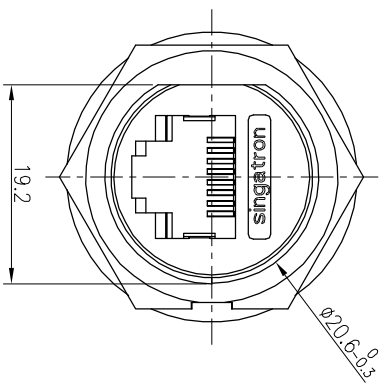
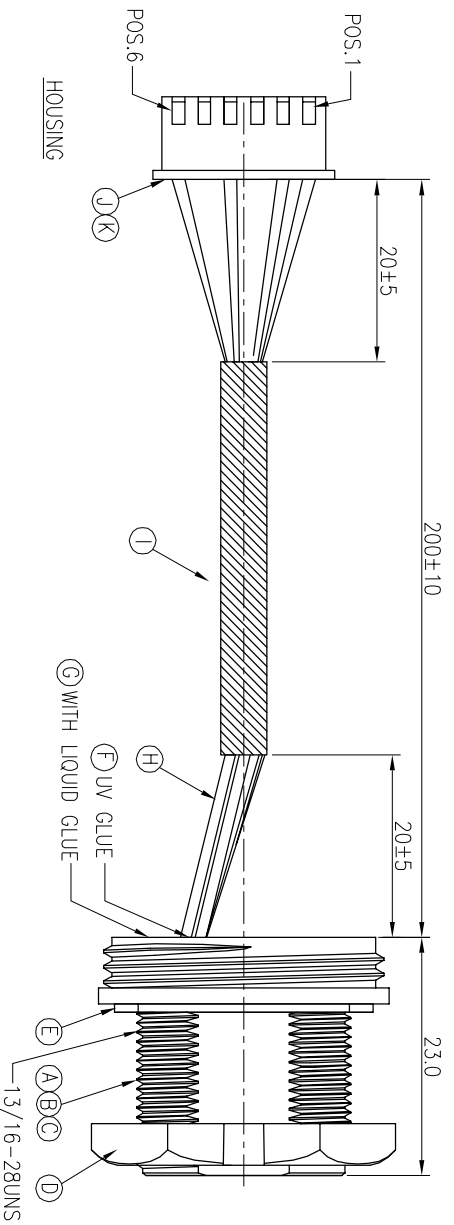


REV.	ECN NO OR DESCRIPTION	REVISED	DATE
A	PDR NO.:A200714-6A	LEI	2020.08.12

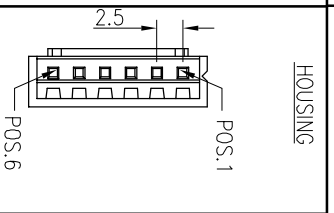
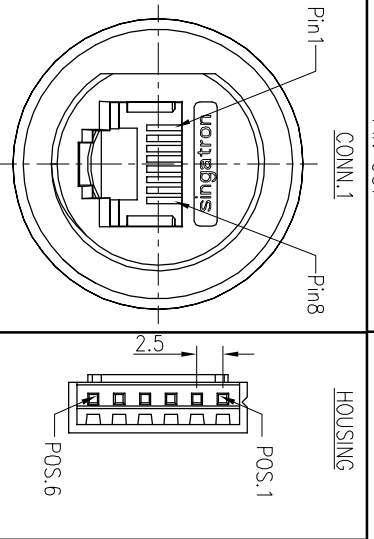


CONN.1  
WATERPROOF RATE: IP67

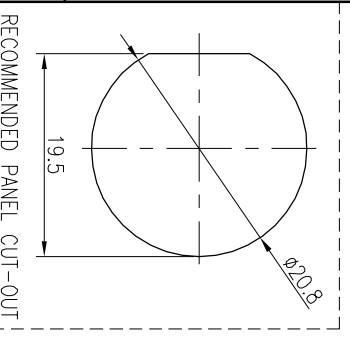
6	BLUE	7	8
5		6	
4	BROWN	5	
3		4	
2	RED	3	
1	BLACK	2	
HOUSING		CONN.1	

- NOTES:
1. WATERPROOF RATE: IP67  
IP67: IMMERSED IN 1M WATER FOR 30 MINUTES
  2. RATING:125V 1.5A
  3. TEMPERATURE RANGE:-20°C TO +80°C
  4. OTHER GENERAL SPEC. TO REFER "RJ45 SERIES SPEC."
  5. TO CONFORM TO SINGATRON HAZARDOUS SUBSTANCE FREE SPEC.
  6. GREEN PRODUCT IDENTIFICATION LABEL ON PACKAGING:
  7. FOR PANEL THICKNESS MAX OF 5.5mm

K	TERMINAL	4	PHOSPHOR BRONZE	TIN PLATED
J	HOUSING	1	NYLON 66 UL 94V-0	WHITE
I	HEAT SHRINK TUBE	1	125°C 300V	BLACK
H	WIRE	4	UL1007 24AWG	SEE PIN OUT
G	LIQUID GLUE	1	N/A	BLACK
F	UV GLUE	1	N/A	N/A
E	GASKET	1	EPDM	BLACK
D	NUT	1	NYLON+30%GF	BLACK
C	SCREW	1	SUS 304	N/A
B	RJ45+PCB	1	N/A	N/A
A	BODY	1	NYLON+30%GF 94V-0	BLACK
NO	DESCRIPTION	QTY	MATERIAL	PLATING & COLOR



PIN ASSIGNMENTS  
FRONT VIEW



UNLESS OTHERWISE SPECIFIED TOLERANCES

DECIMALS:	ANGLES:
X :±0.5	X :±2°
X.X :±0.3	X.X :±1°
X.XX :±0.2	

Singatron Enterprise Co., Ltd. 信登企業股份有限公司	
TITLE	RJ45 JACK + PLUG
DWN	LEI
CHKD	Cerry
APVD	William
PART NO.27J3003-W051L7H	
SCALE 2:1 UNIT: mm	
SIZE: A3 SHEET:1 OF 1 REV: A	
CUSTOMER COPY	