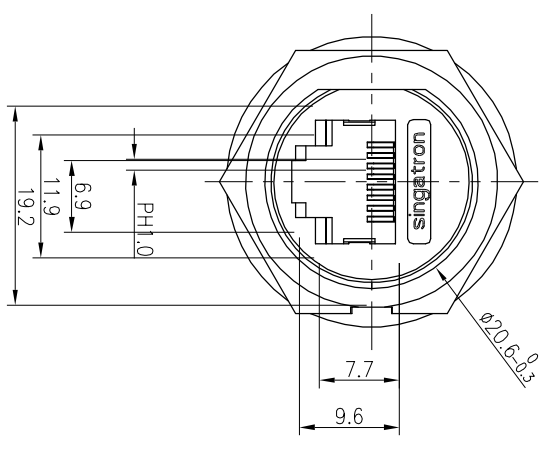
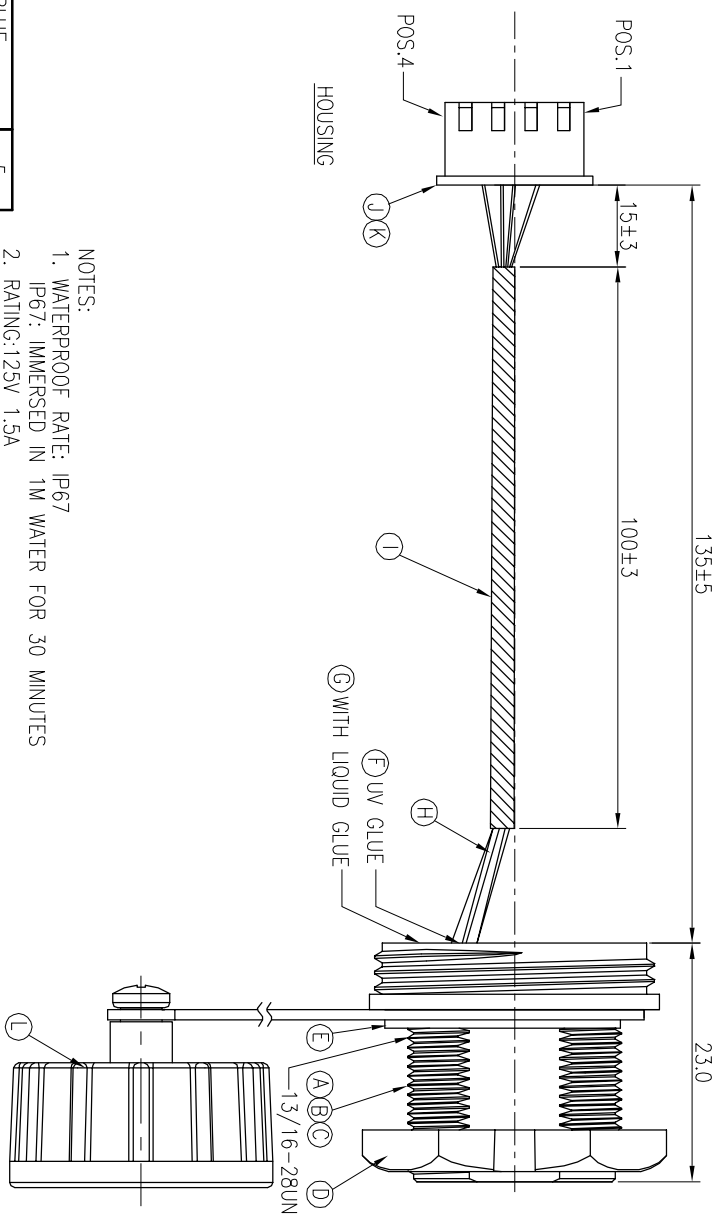


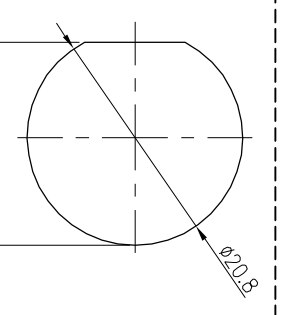
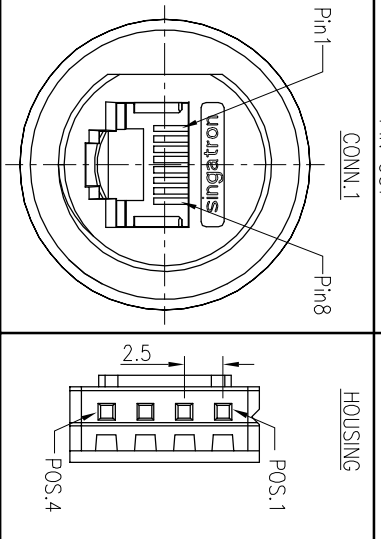
| REV. | ECN NO OR DESCRIPTION | REVISED | DATE       |
|------|-----------------------|---------|------------|
| A    | PDR NO.:T200901-4A    | JAY     | 2021.05.18 |



|                    |        |        |
|--------------------|--------|--------|
| 4                  | BLUE   | 5      |
| 3                  | YELLOW | 6      |
| 2                  | RED    | 4      |
| 1                  | BLACK  | 3      |
| HOUSING WIRE COLOR |        | CONN.1 |

- NOTES:
1. WATERPROOF RATE: IP67  
IP67: IMMERSED IN 1M WATER FOR 30 MINUTES
  2. RATING:125V 1.5A
  3. TEMPERATURE RANGE:-25°C TO +80°C
  4. OTHER GENERAL SPEC. TO REFER "RJ45 SERIES SPEC."
  5. TO CONFORM TO SINGATRON HAZARDOUS SUBSTANCE FREE SPEC.
  6. GREEN PRODUCT IDENTIFICATION LABEL ON PACKAGING: **GREEN**
  7. FOR PANEL THICKNESS MAX OF 5.5mm

|    |                  |     |                       |                 |
|----|------------------|-----|-----------------------|-----------------|
| L  | WATERPROOF CAP   | 1   | P/N:2UB3001-W0000W    | BLACK           |
| K  | TERMINAL         | 4   | PHOSPHOR BRONZE       | TIN PLATED      |
| J  | HOUSING          | 1   | NYLON 66 UL 94V-0     | WHITE           |
| I  | HEAT SHRINK TUBE | 1   | $\phi 2.5$ 125°C 300V | BLACK           |
| H  | WIRE             | 4   | UL1007 24AWG          | SEE PIN OUT     |
| G  | LIQUID GLUE      | 1   | N/A                   | BLACK           |
| F  | UV GLUE          | 1   | N/A                   | N/A             |
| E  | GASKET           | 1   | EPDM                  | BLACK           |
| D  | NUT              | 1   | NYLON+30%GF           | BLACK           |
| C  | SCREW            | 1   | SUS 304               | N/A             |
| B  | RJ45+PCB         | 1   | CAT.5e                | GOLD PLATING    |
| A  | BODY             | 1   | NYLON+30%GF 94V-0     | BLACK           |
| NO | DESCRIPTION      | QTY | MATERIAL              | PLATING & COLOR |



PIN ASSIGNMENTS  
FRONT VIEW

UNLESS OTHERWISE SPECIFIED TOLERANCES

|            |          |
|------------|----------|
| DECIMALS:  | ANGLES:  |
| X :±0.5    | X :±2°   |
| X.X :±0.3  | X.X :±1° |
| X.XX :±0.2 |          |

Suzhou Singatron Auto Electronics CO.,LTD.  
蘇州信營汽車電子有限公司

|       |                  |                         |               |
|-------|------------------|-------------------------|---------------|
| TITLE | RJ45 JACK + PLUG |                         |               |
| DWN   | JAY              | PART NO.2TJ3003-W051M1H |               |
| CHKD  | JF               | SCALE 2:1               | UNIT: mm      |
| APVD  | Steve            | SIZE: A3                | SHEET: 1 OF 1 |
|       |                  |                         | REV: A        |

CUSTOMER COPY