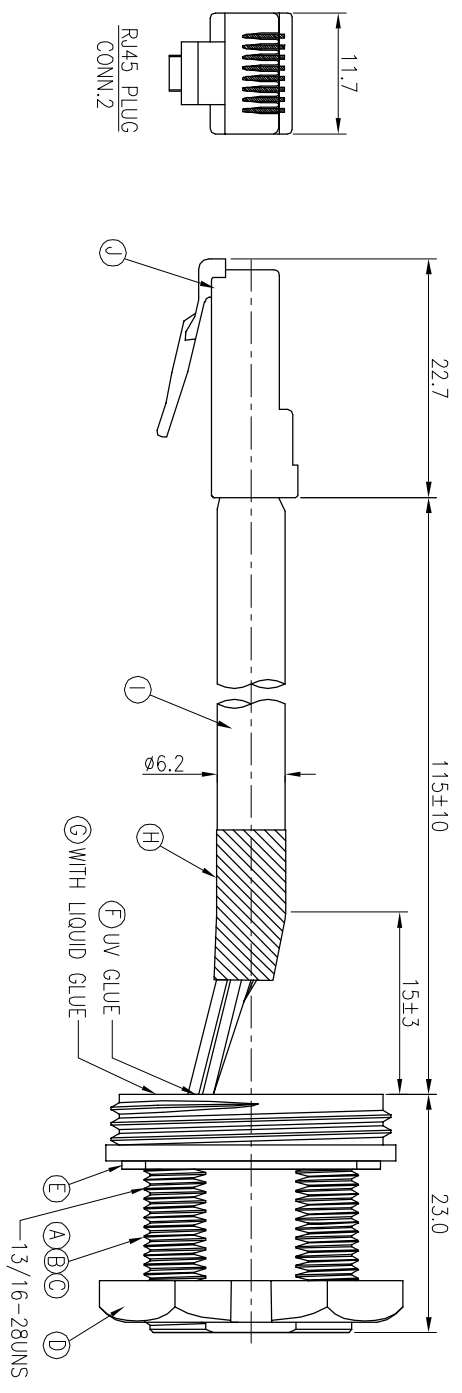


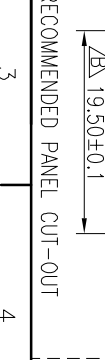
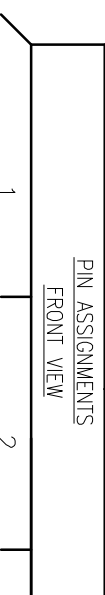
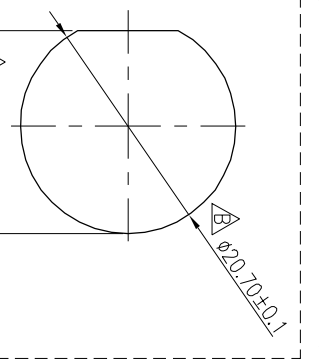
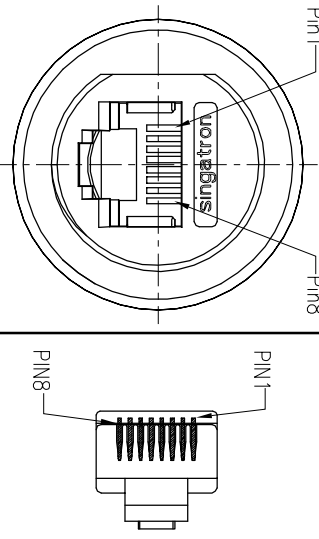
REV.	ECN NO OR DESCRIPTION	REVISED	DATE
A	PDR NO.:A201118-2A	RZ	2021.01.16
B	ECN NO.:S202102-R05	RZ	2021.02.24



CONN.1  
WATERPROOF RATE: IP67

8	BROWN	8	TWIST
7	BROWN/WHITE	7	TWIST
6	GREEN	6	TWIST
5	BLUE/WHITE	5	TWIST
4	BLUE	4	TWIST
3	GREEN/WHITE	3	TWIST
2	ORANGE	2	TWIST
1	ORANGE/WHITE	1	TWIST
CONN.1	WIRE COLOR	CONN.2	

- NOTES:
1. WATERPROOF RATE: IP67  
IP67: IMMERSED IN 1M WATER FOR 30 MINUTES
  2. ELECTRICAL CHARACTERISTIC:
    - 2-1. RATING:125V 1.5A
    - 2-2. CONTACT RESISTANCE: 3 ohm MAX.
    - 2-3. DIELECTRIC WITHSTANDING VOLTAGE:300V AC FOR ONE MINUTE
    - 2-4. INSULATION RESISTANCE:30M ohm Min MEASURED BY 300V DC
  3. OTHER GENERAL SPEC. TO REFER "RJ45 SERIES SPEC".
  4. TO CONFORM TO SINGATRON HAZARDOUS SUBSTANCE FREE SPEC.
  5. GREEN PRODUCT IDENTIFICATION LABEL ON PACKAGING:
  6. FOR PANEL THICKNESS MAX OF 5.5mm



J	RJ45 PLUG	1	8P8C UTP PLUG	GOLD PLATING
I	CABEL	1	CAT5E 24#*4P+MY+ADB UV RESISTANT	BLACK(PVC JACKET)
H	TUBE	1	125°C 300V L=15	BLACK
G	LIQUID GLUE	1	N/A	BLACK
F	UV GLUE	1	N/A	N/A
E	GASKET	1	SILICONE	BLACK
D	NUT	1	NYLON	BLACK
C	SCREW	1	SUS 304	N/A
B	RJ45+PCB	1	N/A	N/A
A	HOUSING	1	NYLON	BLACK
NO	DESCRIPTION	QTY	MATERIAL	PLATING & COLOR

UNLESS OTHERWISE SPECIFIED TOLERANCES

DECIMALS:	ANGLES:
X :±0.5	X :±2°
X.X :±0.3	X.X :±1°
X.XX :±0.2	

TITLE	RJ45 JACK + PLUG
DWN	RZ
CHKD	JF
APVD	William
PART NO.27J3003-W05IN3H	
SCALE 2:1 UNIT: mm	
SIZE: A3 SHEET: 1 OF 1 REV: B	
CUSTOMER COPY	