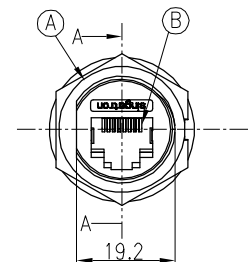
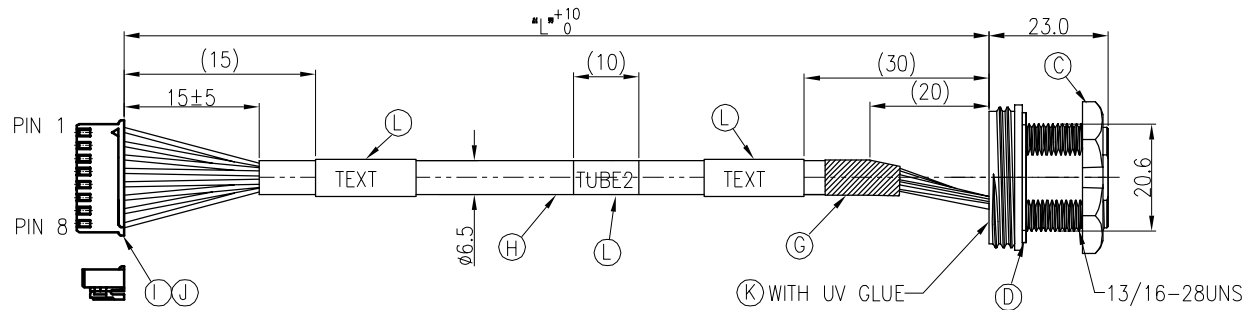
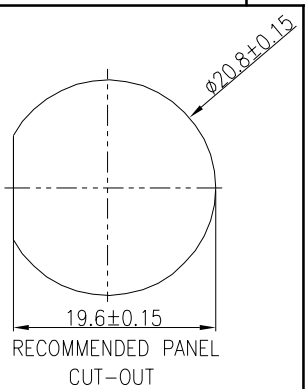
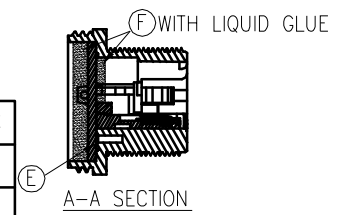


REV.	ECN NO OR DESCRIPTION	REVISED	DATE
A	ECN NO.:S202208-C21	Elrod	2022.10.19



CONN.1
WATERPROOF RATE: IP67



Singatron P/N	ECN NO.	L	TUBE1 印字内容	TUBE2 印字内容
2TJ3003-W051N7H	S202208-C21	125mm	CT	DLA
2TJ3003-W051N8H	S202208-C21	125mm	BMS	DLA
2TJ3003-W051N9H	S202208-C21	125mm	LCD	DLA

CONN.1	WIRE COLOR	CONN.2
1	ORANGE/WHITE	8
2	ORANGE	7
3	GREEN/WHITE	6
4	BLUE	5
5	BLUE/WHITE	4
6	GREEN	3
7	BROWN/WHITE	2
8	BROWN	1
PIN DEFINE		

- NOTES:
- WATERPROOF RATE: IP67
IP67: IMMERSED IN 1M WATER FOR 30 MINUTES
 - ELECTRICAL CHARACTERISTICS:
2-1. RATING:125V 1.5A
2-2. CONTACT RESISTANCE: 3 ohm MAX.(INITIAL)
2-3. DIELECTRIC WITHSTANDING VOLTAGE: 300V AC FOR ONE MINUTE
2-4. INSULATION RESISTANCE: 30Mohm MIN. MEASURED BY 300 VDC
 - OTHER GENERAL SPEC. TO REFER "RJ45 SERIES SPEC".
 - TO CONFORM TO SINGATRON HAZARDOUS SUBSTANCE FREE SPEC.
 - GREEN PRODUCT IDENTIFICATION LABEL ON PACKAGING: **Q.P. PASS**
 - FOR PANEL THICKNESS MAX OF 5.5mm

L	TUBE	3	125°C 600V	WHITE
K	UV GLUE	1	N/A	NATURAL
J	TERMINAL	8	JWT A2501TOP-00	GOLD PLATING
I	HOUSING	1	JWT A2512H00-8P	WHITE
H	CABEL	1	CAT5E FTP 24AWG*4P+MY+D +A/M UV RESISTANT	BLACK(PVC JACKET)
G	TUBE	1	125°C 300V	BLACK
F	LIQUID GLUE	2	N/A	BLACK
E	SCREW	1	STAINLESS STEEL	N/A
D	GASKET	1	EPDM	BLACK
C	NUT	1	NYLON	BLACK
B	RJ45+PCB	1	Phosphor Bronze+Plantic	GOLD PLATING 6u"
A	HOUSING	1	NYLON	BLACK
NO	DESCRIPTION	QTY	MATERIAL	PLATING & COLOR

UNLESS OTHERWISE SPECIFIED TOLERANCES

Suzhou Singatron Auto Electronics CO.,LTD.
蘇州信音汽車電子有限公司

DECIMALS:	ANGLES:	TITLE	RJ45 FRONT MOUNT CONN WITH HOUSING	
X :±0.5	X :±2°	DWN	Elrod	PART NO.2TJ3003-W051NXH
X.X :±0.3	X.X :±1°	CHKD	Jun	SCALE 2:1 UNIT: mm
X.XX :±0.2		APVD	Steve	SIZE: A4 SHEET:1 OF 1 REV: A

CUSTOMER COPY

