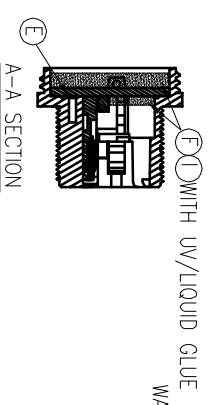
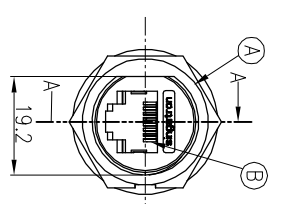
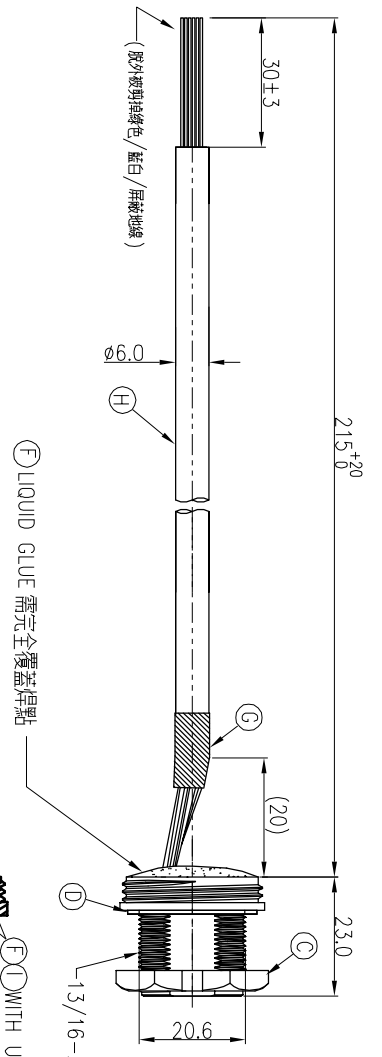
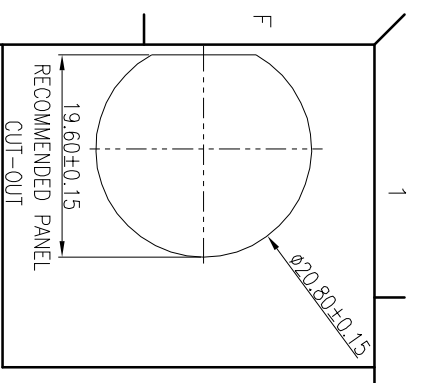
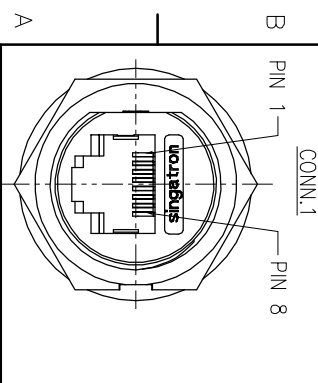


REV.	ECN NO.	OR DESCRIPTION	REVISED	DATE
A	ECN NO.:	S202209-C05	JAY	2022.09.14



CONN.1
WATERPROOF RATE: IP67

1	ORANGE/WHITE	TWIST
2	ORANGE	TWIST
3	GREEN/WHITE	TWIST
4	BLUE	TWIST
4	BLUE/WHITE	TWIST
7	BROWN/WHITE	TWIST
8	BROWN	TWIST
CONN.1	WIRE COLOR	
	PIN OUT	
	CONN.1	



- NOTES:
1. WATERPROOF RATE: IP67
IP67: IMMERSED IN 1M WATER FOR 30 MINUTES
 2. ELECTRICAL CHARACTERISTICS:
 - 2-1. RATING:125V 1.5A
 - 2-2. CONTACT RESISTANCE: 3 ohm MAX.(INITIAL)
 - 2-3. DIELECTRIC WITHSTANDING VOLTAGE: 300V AC FOR ONE MINUTE
 - 2-4. INSULATION RESISTANCE: 30Mohm MIN. MEASURED BY 300 MINUTE
 3. OTHER GENERAL SPEC. TO REFER "RJ45 SERIES SPEC".
 4. TO CONFORM TO SINGATRON HAZARDOUS SUBSTANCE FREE SPEC.
 5. GREEN PRODUCT IDENTIFICATION LABEL ON PACKAGING:
 6. FOR PANEL THICKNESS MAX OF 5.5mm

I	UV GLUE	1	N/A	NATURAL
H	CABEL	1	UL CAT5E FTP 24#* 4P+D+AL/MY OD:6.0	BLACK(PVC JACKET)
G	TUBE	1	125°C 300V L=20mm	BLACK
F	LIQUID GLUE	2	N/A	BLACK
E	SCREW	1	STAINLESS STEEL	N/A
D	GASKET	1	SILICONE	BLACK
C	NUT	1	NYLON	BLACK
B	RJ45+PCB	1	Phosphor Bronze+Plastic	GOLD PLATING 6U"
A	HOUSING	1	NYLON	BLACK
NO	DESCRIPTION	QTY	MATERIAL	PLATING & COLOR
UNLESS OTHERWISE SPECIFIED TOLERANCES				
Suzhou Singatron Auto Electronics CO.,LTD. 蘇州信音汽車電子有限公司				
DECIMALS:		ANGLES:		
X	:±0.5	X	:±2°	
X.X	:±0.3	X.X	:±1'	
X:XX	:±0.2			
TITLE: RJ45 FRONT MOUNT CONN.				
DWN	JAY	PART NO.:	2J33003-W051P2H	
CHKD	MF	SCALE:	2:1	UNIT: mm
APVD	JF	SIZE:	A4	SHEET: 1 OF 1
REV: A				
CUSTOMER COPY				