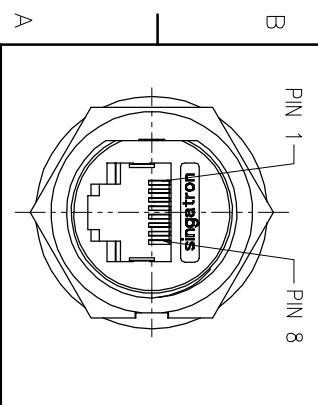


SHIELD	DRAIN
1	ORANGE/WHITE
2	ORANGE
3	GREEN/WHITE
4	BLUE
5	BLUE/WHITE
6	GREEN
7	BROWN/WHITE
8	BROWN
CONN.	WIRE COLOR
PIN DEFINE	

TWIST
TWIST
TWIST



PIN ASSIGNMENTS
FRONT VIEW

REV.	ECN NO. OR DESCRIPTION	REVISED	DATE
A	PDR NO.:A210225-1A	MF	2021.12.04
B	ECN NO.:S202208-E11	EProd	2022.10.20
C	ECN NO.:SS202308-008	JAY	2023.10.27

- NOTES:
1. WATERPROOF RATE: IP67
IP67: IMMERSED IN 1M WATER FOR 30 MINUTES
 2. RATING:125V 1.5A
 3. OTHER GENERAL SPEC. TO REFER "RJ45 SERIES SPEC."
 4. TO CONFORM TO SINGATRON HAZARDOUS SUBSTANCE FREE SPEC.
 5. GREEN PRODUCT IDENTIFICATION LABEL ON PACKAGING.
 6. FOR PANEL THICKNESS MAX OF 5.5mm

J	TUBE	1	125°C 300V	BLACK
I	CABEL	1	CAT 5e FTP 4P*24AWG+M +D+AL OD:6.0mm UL2835	BLACK(PVC JACKET)
H	TUBE	1	125°C 300V	BLACK
G	LIQUID GLUE	2	N/A	BLACK
F	SCREW	1	ST2.2*5.0	N/A
E	GASKET	1	SILICONE	BLACK
D	NUT	1	NYLON+GF	BLACK
C	GROUND	2	BRASS	NICKEL PLATING
B	RJ45	1	N/A	GOLD PLATING
A	HOUSING	1	NYLON+GF	BLACK
NO	DESCRIPTION	QTY	MATERIAL	PLATING & COLOR

UNLESS OTHERWISE SPECIFIED TOLERANCES

Suzhou Singatron Auto Electronics CO.,LTD.
蘇州信益汽車電子有限公司

DECIMALS: ANGLES: TITLE
X :±0.5 X :±2° RJ45 FRONT MOUNT CONN.+CABLE
X.X :±0.3 X.X :±1' PART NO.:2TJ3003-W05IP4H
X.XX :±0.2 :±0.2 SCALE 2:1 UNIT: mm

APVD JF SIZE: A3 SHEET: 1 OF 1 REV: C

CUSTOMER COPY