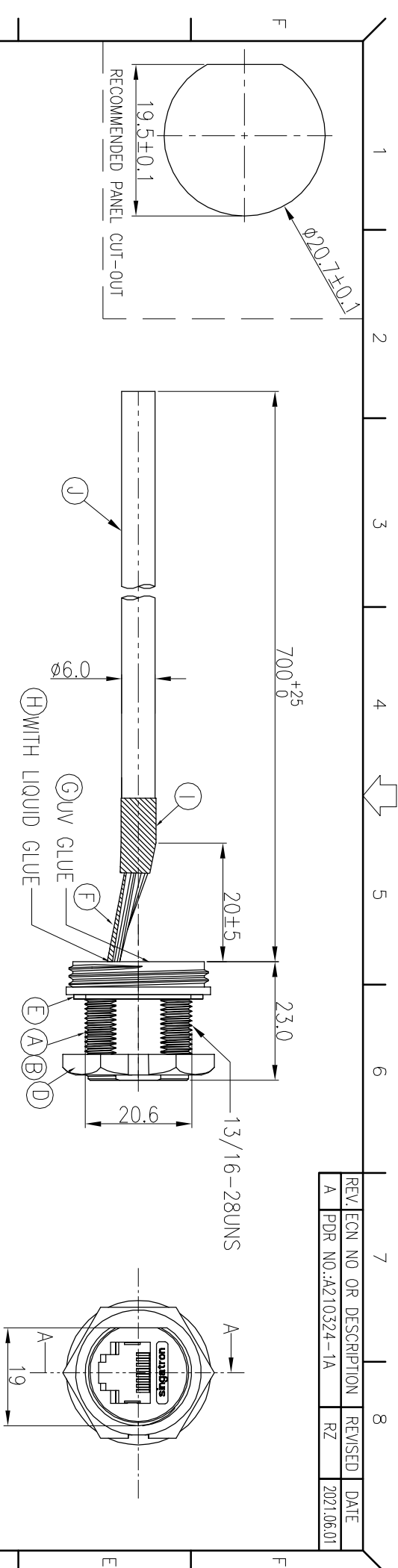


REV.	ECN NO	OR DESCRIPTION	REVISED	DATE
A	PDR	NO.:A210324-1A	RZ	2021.06.01

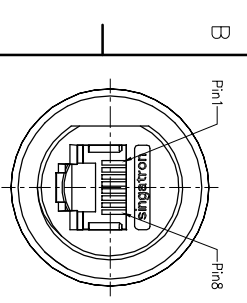


WATERPROOF RATE: IP67

WATERPROOF RATE: IP67

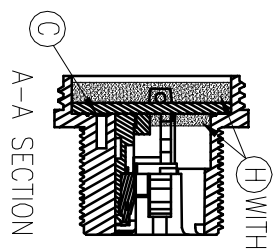
SHELL	DRAIN
1	ORANGE/WHITE
2	ORANGE
3	GREEN/WHITE
4	BLUE
5	BLUE/WHITE
6	GREEN
7	BROWN/WHITE
8	BROWN
CONN.1	WIRE COLOR
PIN OUT	
CONN.1	

1	TWIST
2	TWIST
3	TWIST
4	TWIST
5	TWIST
6	TWIST
7	TWIST
8	TWIST



PIN ASSIGNMENTS
FRONT VIEW

- NOTES:
1. WATERPROOF RATE: IP67
IP67: IMMERSED IN 1M WATER FOR 30 MINUTES
 2. RATING: 125V 1.5A
 3. TEMPERATURE RANGE: -20°C TO +80°C
 4. OTHER GENERAL SPEC. TO REFER "RJ45 SERIES SPEC".
 5. TO CONFORM TO SINGATRON HAZARDOUS SUBSTANCE FREE SPEC.
 6. GREEN PRODUCT IDENTIFICATION LABEL ON PACKAGING:
 7. FOR PANEL THICKNESS MAX OF 5.5mm



A-A SECTION

J	CABEL	1	CAT5E FTP 24#*4P+MY+D +A/M UV RESISTANT	BLACK(PVC JACKET)
I	TUBE	1	Ø7.0 125°C 300V L=15	BLACK
H	LIQUID GLUE	1	N/A	BLACK
G	UV GLUE	1	N/A	N/A
F	TUBE	1	Ø1.0 125°C 300V L=20	BLACK
E	GASKET	1	EPDM	BLACK
D	NUT	1	NYLON+30%GF	BLACK
C	SCREW	1	SUS 304	N/A
B	RJ45+PCB	1	N/A	N/A
A	HOUSING	1	NYLON+30%GF	BLACK
NO	DESCRIPTION	QTY	MATERIAL	PLATING & COLOR

UNLESS OTHERWISE SPECIFIED TOLERANCES

DECIMALS:	ANGLES:
X :±0.5	X :±2°
X.X :±0.3	X.X :±1'
X.XX :±0.2	

TITLE	RJ45 JACK WITH CABLE
DWN	RZ
CHKD	JF
APVD	Steve
PART NO.:2TJ3003-W051P6H	
SCALE 2:1 UNIT: mm	
SIZE: A4 SHEET:1 OF 1	
REV: A	

Suzhou Singatron Auto Electronics CO.,LTD.
蘇州信益汽車電子有限公司

CUSTOMER COPY