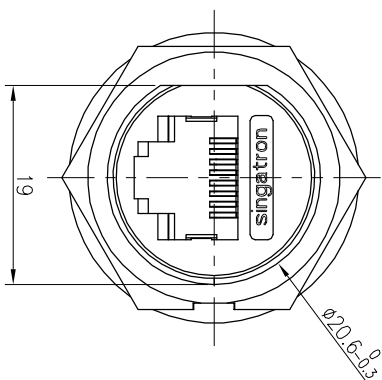
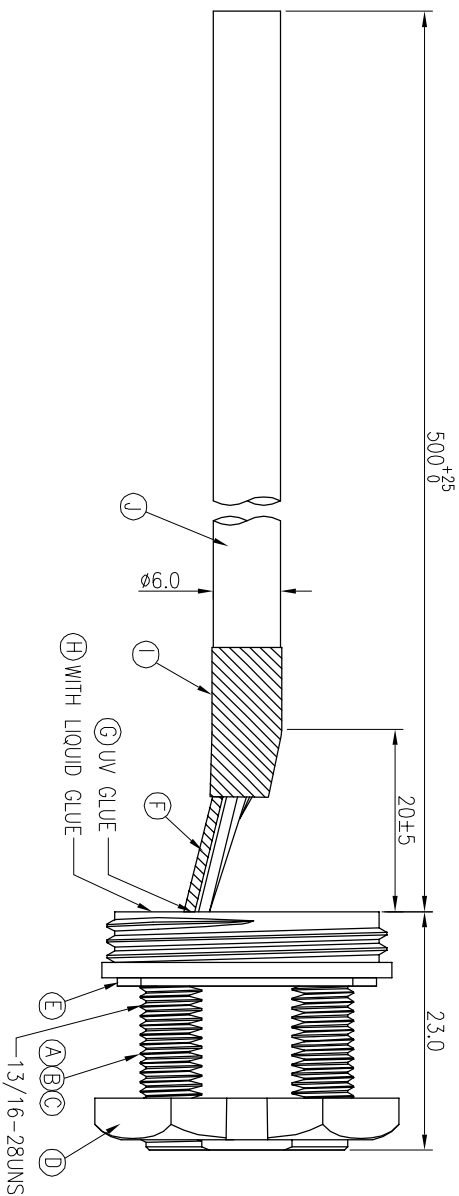
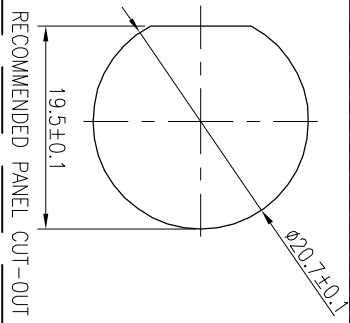
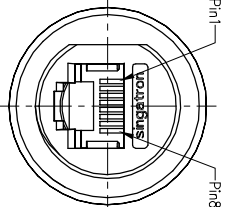


REV.	ECN NO.	OR DESCRIPTION	REVISED	DATE
A	PDR NO.:	A210419-1A	JAY	2021.07.23



CONN.1
WATERPROOF RATE: IP67

SHELL	DRAIN
1	ORANGE/WHITE
2	ORANGE
3	GREEN/WHITE
4	BLUE
5	BLUE/WHITE
6	GREEN
7	BROWN/WHITE
8	BROWN
CONN.1	WIRE COLOR
	PIN OUT
	CONN.1



PIN ASSIGNMENTS
FRONT VIEW

- NOTES:
1. WATERPROOF RATE: IP67
IP67: IMMERSED IN 1M WATER FOR 30 MINUTES
 2. RATING: 125V 1.5A
 3. TEMPERATURE RANGE: -20°C TO +80°C
 4. OTHER GENERAL SPEC. TO REFER "RJ45 SERIES SPEC".
 5. TO CONFORM TO SINGATRON HAZARDOUS SUBSTANCE FREE SPEC.
 6. GREEN PRODUCT IDENTIFICATION LABEL ON PACKAGING:
 7. FOR PANEL THICKNESS MAX OF 5.5mm

J	CABEL	1	CAT5E FTP 24#*4P+MY+D +A/M UV RESISTANT	BLACK(PVC JACKET)
I	TUBE	1	Ø7.0 125°C 300V L=15	BLACK
H	LIQUID GLUE	1	N/A	BLACK
G	UV GLUE	1	N/A	N/A
F	TUBE	1	Ø1.0 125°C 300V L=20	BLACK
E	GASKET	1	EPDM	BLACK
D	NUT	1	NYLON+30%GF	BLACK
C	SCREW	1	SUS 304	N/A
B	RJ45+PCB	1	N/A	N/A
A	HOUSING	1	NYLON+30%GF	BLACK
NO	DESCRIPTION	QTY	MATERIAL	PLATING & COLOR
UNLESS OTHERWISE SPECIFIED TOLERANCES				
DECIMALS: ANGLES:				
X	:±0.5	X	:±2°	
X.X	:±0.3	X.X	:±1°	
X.XX	:±0.2			
TITLE: RJ45 JACK WITH CABLE				
DWN	JAY	PART NO. 2TJ3003-W051P8H		
CHKD	JF	SCALE 2:1	UNIT: mm	
APVD	JF	SIZE: A4	SHEET: 1 OF 1	REV: A
CUSTOMER COPY				

Suzhou Singatron Auto Electronics CO.,LTD.
蘇州信營汽車電子有限公司