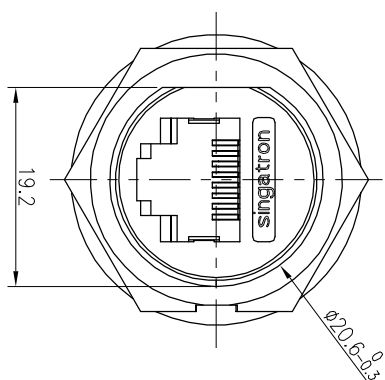
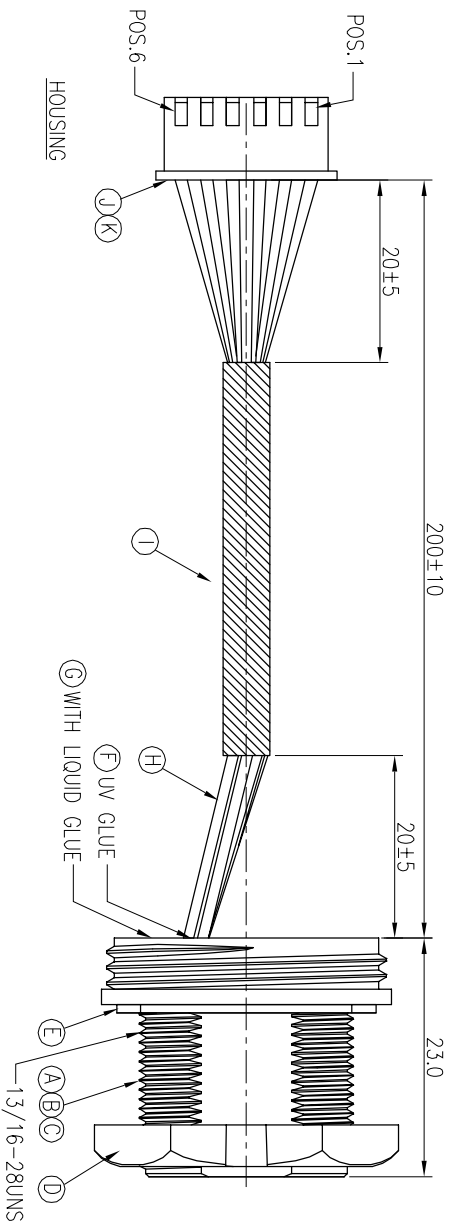


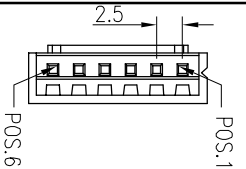
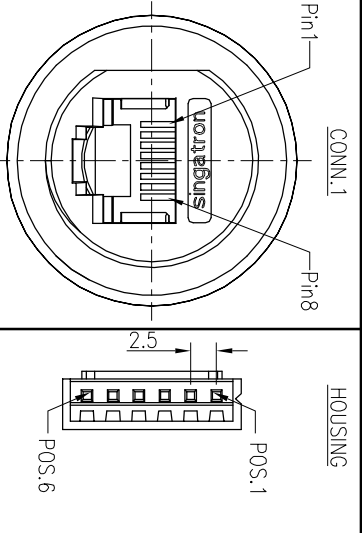
REV.	ECN NO OR DESCRIPTION	REVISED	DATE
A	PDR NO.:A210609-2A	JAY	2021.12.04



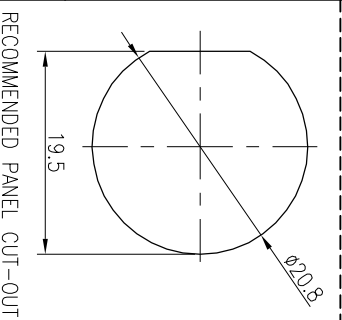
CONN.1
WATERPROOF RATE: IP67

6	BLUE	4	6
5	GREEN	8	4
4	BROWN	5	8
3	YELLOW	7	5
2	RED	3	7
1	BLACK	2	3
HOUSING WIRE COLOR		1	2
PIN OUT		CONN.1	

- NOTES:
1. WATERPROOF RATE: IP67
 2. IP67: IMMersed IN 1M WATER FOR 30 MINUTES
 3. RATING: 125V 1.5A
 4. TEMPERATURE RANGE: -20°C TO +80°C
 5. OTHER GENERAL SPEC.: TO REFER "RJ45 SERIES SPEC."
 6. TO CONFORM TO SINGATRON HAZARDOUS SUBSTANCE FREE SPEC.
 7. GREEN PRODUCT IDENTIFICATION LABEL ON PACKAGING:
 7. FOR PANEL THICKNESS MAX OF 5.5mm



PIN ASSIGNMENTS
FRONT VIEW



RECOMMENDED PANEL CUT-OUT

K	TERMINAL	6	PHOSPHOR BRONZE	TIN PLATED
J	HOUSING	1	NYLON 66 UL 94V-0	WHITE
I	HEAT SHRINK TUBE	1	Ø7.0 125°C 600V	WHITE
H	WIRE	6	UL1007 24AWG	SEE PIN OUT
G	LIQUID GLUE	1	N/A	BLACK
F	UV GLUE	1	N/A	N/A
E	GASKET	1	EPDM	BLACK
D	NUT	1	NYLON+30%GF	BLACK
C	SCREW	1	STAINLESS STEEL	N/A
B	RJ45+PCB	1	N/A	N/A
A	BODY	1	NYLON+30%GF 94V-0	BLACK
NO	DESCRIPTION	QTY	MATERIAL	PLATING & COLOR

UNLESS OTHERWISE SPECIFIED TOLERANCES

Suzhou Singatron Auto Electronics CO.,LTD.
蘇州新格特汽車電子有限公司

UNLESS OTHERWISE SPECIFIED TOLERANCES

TITLE RJ45 JACK + PLUG

DECIMALS: ANGLES:

DWN JAY PART NO.:2TJ3003-W051Q1H

X.XX :±0.5 X :±2°

CHKD JF SCALE 2:1 UNIT: mm

X.XX :±0.3 X.X :±1°

APVD Steve SIZE: A3 SHEET: 1 OF 1 REV: A

X.XX :±0.2

CUSTOMER COPY