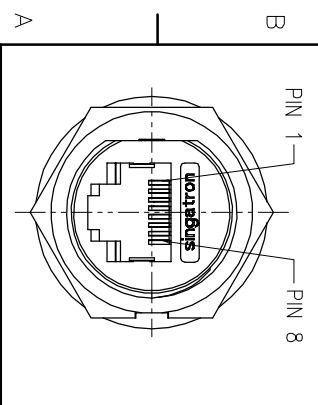
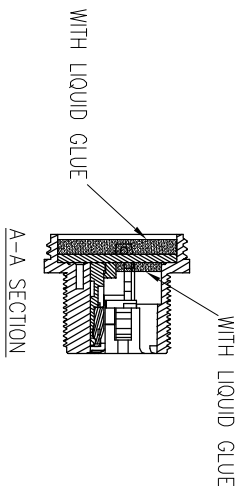


WATERPROOF RATE: IP67

SHIELD	DRAIN
1	ORANGE/WHITE
2	ORANGE
3	GREEN/WHITE
4	BLUE
5	BLUE/WHITE
6	GREEN
7	BROWN/WHITE
8	BROWN
CONN.	WIRE COLOR
PIN DEFINE	

TWIST
TWIST
TWIST



PIN ASSIGNMENTS
FRONT VIEW

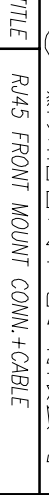
REV.	ECN NO. OR DESCRIPTION	REVISED	DATE
A	PDR NO.:A210818-2B	MF	2021.12.05
B	ECN NO.:S202203-C16	ETrod	2022.03.22
C	ECN NO.:S202205-C05	MF	2022.04.29
D	ECN NO.:S202208-E11	ETrod	2022.10.20

NOTES:

1. WATERPROOF RATE: IP67
IP67: IMMERSED IN 1M WATER FOR 30 MINUTES
2. RATING:125V 1.5A
3. OTHER GENERAL SPEC. TO REFER "RJ45 SERIES SPEC."
4. TO CONFORM TO SINGATRON HAZARDOUS SUBSTANCE FREE SPEC.
5. GREEN PRODUCT IDENTIFICATION LABEL ON PACKAGING.
6. FOR PANEL THICKNESS MAX OF 5.5mm

J	TUBE	1	125°C 300V	BLACK
I	CABEL	1	UL CAT5E FTP 24#* 4P+D+AL/MY OD:6.0	BLACK(PVC JACKET)
H	TUBE	1	125°C 300V	BLACK
G	LIQUID GLUE	2	N/A	BLACK
F	SCREW	1	ST2.2*5.0	N/A
E	GASKET	1	SILICONE	BLACK
D	NUT	1	NYLON+GF	BLACK
C	GROUND	2	BRASS	NICKEL PLATING
B	RJ45	1	N/A	GOLD PLATING
A	HOUSING	1	NYLON+GF	BLACK
NO	DESCRIPTION	QTY	MATERIAL	PLATING & COLOR

UNLESS OTHERWISE SPECIFIED TOLERANCES



DECIMALS:	ANGLES:	TITLE	RJ45 FRONT MOUNT CONN.+CABLE
X :±0.5	X :±2°	DWN	ETrod
XX :±0.3	XX :±1°	CHKD	Jun
X:XX :±0.2		APVD	Steve
CUSTOMER COPY			