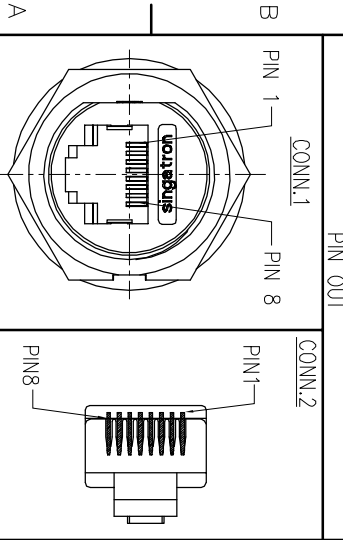


WATERPROOF RATE: IP67

CONN.1	WIRE COLOR	CONN.2
1	ORANGE/WHITE	1
2	ORANGE	2
3	GREEN/WHITE	3
4	BLUE	4
5	BLUE/WHITE	5
6	GREEN	6
7	BROWN/WHITE	7
8	BROWN	8



- NOTES:
1. WATERPROOF RATE: IP67(WHEN PROPERLY MATED) IP67: IMMERSED IN 1M WATER FOR 30 MINUTES
 2. RATING:125V 1.5A
 3. OTHER GENERAL SPEC. TO REFER "RJ45 SERIES SPEC."
 4. TO CONFORM TO SINGATRON HAZARDOUS SUBSTANCE FREE SPEC.
 5. GREEN PRODUCT IDENTIFICATION LABEL ON PACKAGING:
 6. FOR PANEL THICKNESS MAX OF 5.5mm

REV.	ECN NO OR DESCRIPTION	REVISED	DATE
A	PDR NO.:I211220-3A	RZ	2022.05.16

NO	DESCRIPTION	QTY	MATERIAL	PLATING & COLOR
K	RJ45 PLUG	1	CAT.5E FTP PLUG	GOLD PLATING
J	TUBE	1	125°C 300V	BLACK
I	CABEL	1	UL CAT5E FTP 24AWG* 4P+D+AL/MY OD:6.0	BLACK(PVC JACKET)
H	TUBE	1	125°C 300V	BLACK
G	LIQUID GLUE	1	N/A	BLACK
F	SCREW	1	SI2.2*5.0	N/A
E	GASKET	1	SILICONE	BLACK
D	NUT	1	NYLON+GF	BLACK
C	GROUND	2	BRASS	NICKEL PLATING
B	RJ45	1	N/A	GOLD PLATING
A	HOUSING	1	NYLON+GF	BLACK
NO	DESCRIPTION	QTY	MATERIAL	PLATING & COLOR

UNLESS OTHERWISE SPECIFIED TOLERANCES

DECIMALS: ANGLES: TITLE RZ PART NO. 2133003-W05199H

APVD JF SIZE: A4 SHEET: 1 OF 1 REV: A

CUSTOMER COPY