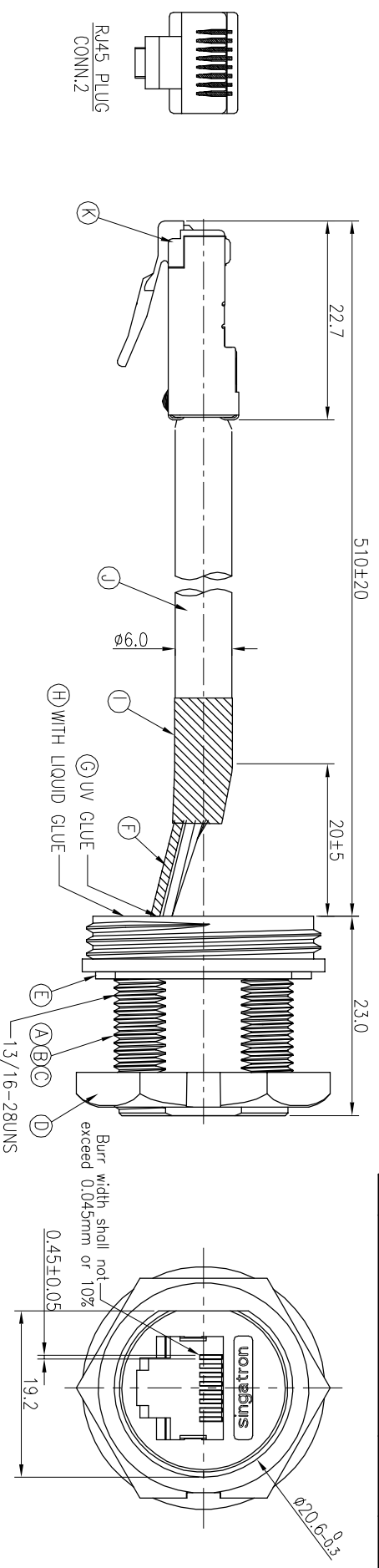


REV	ECN NO	OR DESCRIPTION	REVISED	DATE
A	PDR NO.:A220711-5A	JAY	2022.11.24	
B	ECN NO.::S202302-C13	JAY	2023.02.22	

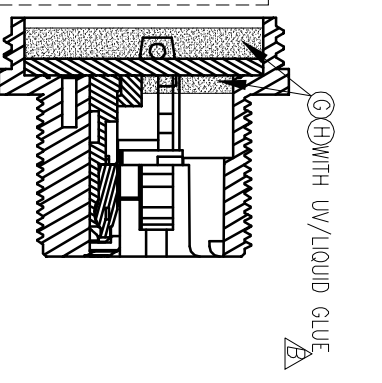
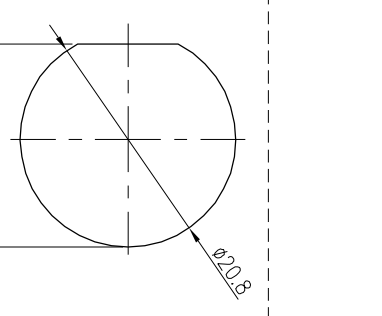
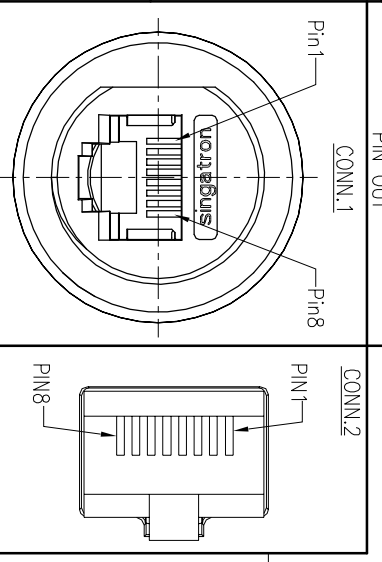


CONN.1
WATERPROOF RATE: IP67

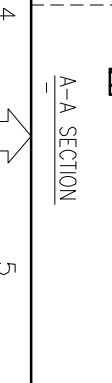
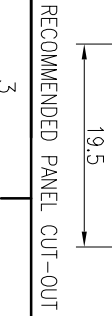
SHELL	DRAIN	SHELL
8	ORANGE/WHITE	8
7	ORANGE	7
6	GREEN/WHITE	6
5	BLUE	5
4	BLUE/WHITE	4
3	GREEN	3
2	BROWN/WHITE	2
1	BROWN	1

CONN.2 WIRE COLOR CONN.1

- NOTES:
1. WATERPROOF RATE: IP67
IP67: IMMERSED IN 1M WATER FOR 30 MINUTES
 2. RATING:125V 1.5A
 3. TEMPERATURE RANGE:-20°C TO +80°C
 4. OTHER GENERAL SPEC. TO REFER "RJ45 SERIES SPEC."
 5. TO CONFORM TO SINGATRON HAZARDOUS SUBSTANCE FREE SPEC.
 6. GREEN PRODUCT IDENTIFICATION LABEL ON PACKAGING:
 7. FOR PANEL THICKNESS MAX OF 5.5mm



PIN ASSIGNMENTS
FRONT VIEW



NO	DESCRIPTION	QTY	MATERIAL	PLATING & COLOR
A	HOUSING	1	NYLON+30%GF 94V-0	BLACK
B	RJ45+PCB	1	N/A	N/A
C	SCREW	1	SUS 304	N/A
D	NYLON NUT	1	NYLON+30%GF	BLACK
E	GASKET	1	SILICONE	DARK GRAY
F	TUBE	1	φ1.0 125°C 300V L=20	BLACK
G	UV GLUE	1	N/A	N/A
H	LIQUID GLUE	2	N/A	BLACK
I	TUBE	1	φ8.0 125°C 300V L=15	BLACK
J	CABEL	1	CAT5E FTP 24#*4P+MY+D +A/M UV RESISTANT	BLACK(PVC JACKET)
K	RJ45 PLUG	1	RJ45 FTP PLUG	N/A

UNLESS OTHERWISE SPECIFIED TOLERANCES

DECIMALS:	ANGLES:
X :±0.5	X :±2°
X.X :±0.3	X.X :±1°
X.XX :±0.2	

Suzhou Singatron Auto Electronics CO.,LTD.
蘇州信通汽車電子有限公司

RJ45 JACK + PLUG
PART NO.:2733003-W05171H
SCALE 2:1 UNIT: mm
SIZE: A3 SHEET:1 OF 1 REV: B