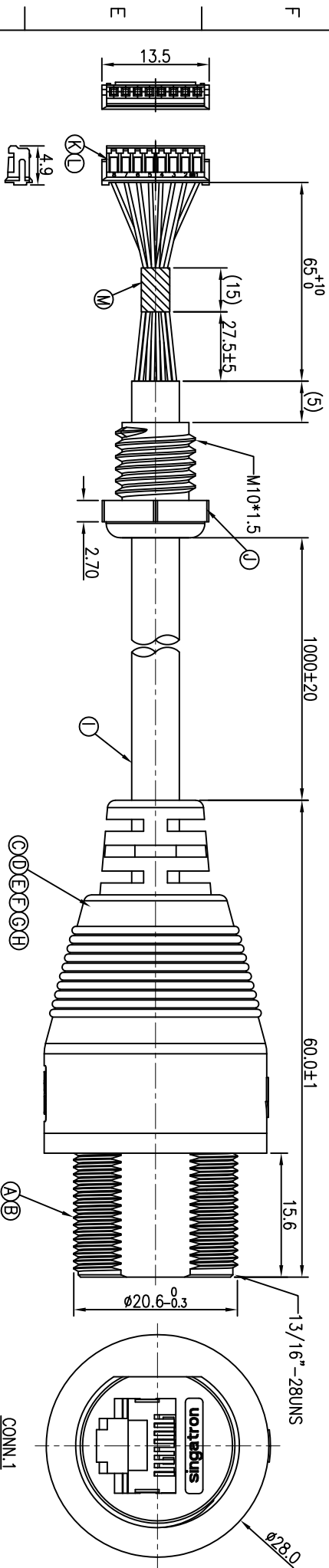


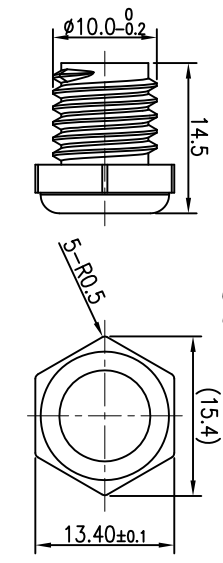
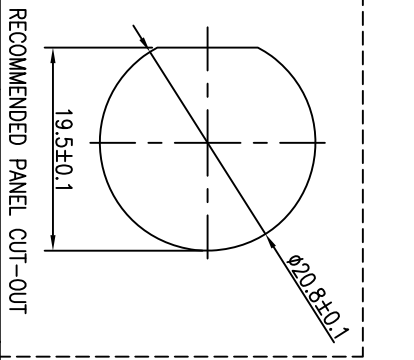
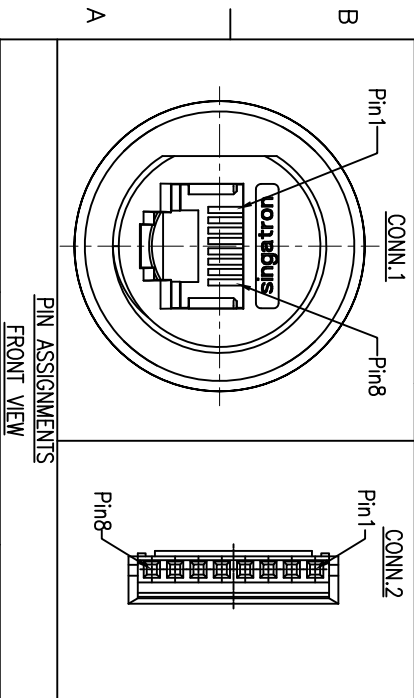
REV.	ECN NO OR DESCRIPTION	REVISED	DATE
A	PDR NO.:T130726-3A	Shown	2013.08.19



NOTES:

- ELECTRICAL CHARACTERISTICS:
 - CURRENT RATING: 1.5 AMPS
 - CONTACT RESISTANCE: 3 Ohm Max.
 - INSULATION RESISTANCE: 30 Mohm Min. at 300VDC.
 - BREAKDOWN VOLTAGE: 300 VAC PER MINUTE.
- ENVIRONMENTAL:
 - OPERATING TEMPERATURE: -20°C TO +80°C.
 - SEALING REQUIREMENTS: IP67.
 - OTHER GENERAL SPEC. TO REFER "RJ45 SERIES SPEC".
 - FOR TECHNICAL DATA REFER TO YOUR LOCAL SINGATRON ELECTRONICS SALES OFFICE.
 - ALL DIMENSIONS ARE NOMINAL FOR REFERENCE ONLY UNLESS OTHERWISE STATED.
 - TO CONFORM TO SINGATRON HAZARDOUS SUBSTANCE FREE SPEC.
 - GREEN PRODUCT IDENTIFICATION LABEL ON PACKAGING (G.P. Pass)

CONN.2	WIRE COLOR	CONN.1
3	BROWN	8
4	BROWN/WHITE	7
1	GREEN	6
5	BLUE/WHITE	5
6	BLUE	4
2	GREEN/WHITE	3
7	ORANGE	2
8	ORANGE/WHITE	1
PIN OUT		
CONN.1		PIN 8
CONN.2		PIN 1



M	HEAT SHRINK TUBE	1	φ4.0 L=15mm 300V	RED
L	TERMINAL	8	Phosphor Bronze	TIN PLATED
K	HOUSING	1	NYLON 66	WHITE
J	SR	1	ABS	BLACK
I	CABEL	1	UL2835 4P*26AWG+AL+D +B CAT.5E OD=6.0 UV	BLACK(PVC JACKET)
H	OVER MOLD	1	TPU	BLACK
G	INNER MOLD	1	PVC	BLACK
F	LIQUID GLUE	1	N/A	BLACK
E	UV GLUE	1	N/A	NATURAL
D	HEAT SHRINK TUBE	1	φ1.0 L=15mm 300V	BLACK
C	SCREW	1	SUS 304	NATURAL
B	RJ45+PCB	1	N/A	N/A
A	HOUSING	1	PA66+GF	BLACK
NO	DESCRIPTION	QTY	MATERIAL	PLATING & COLOR
UNLESS OTHERWISE SPECIFIED TOLERANCES				
Singatron Enterprise Co., Ltd. 信音企業股份有限公司				
TITLE WATERPROOF RJ45 CAT.5E STP JACK				
DWG Shown PART NO.2733005-W05104H				
CHKD Harden SCALE 2:1 UNIT: mm				
APVD Quan SIZE: A3 SHEET:1 OF 1 REV: A				
CUSTOMER COPY				