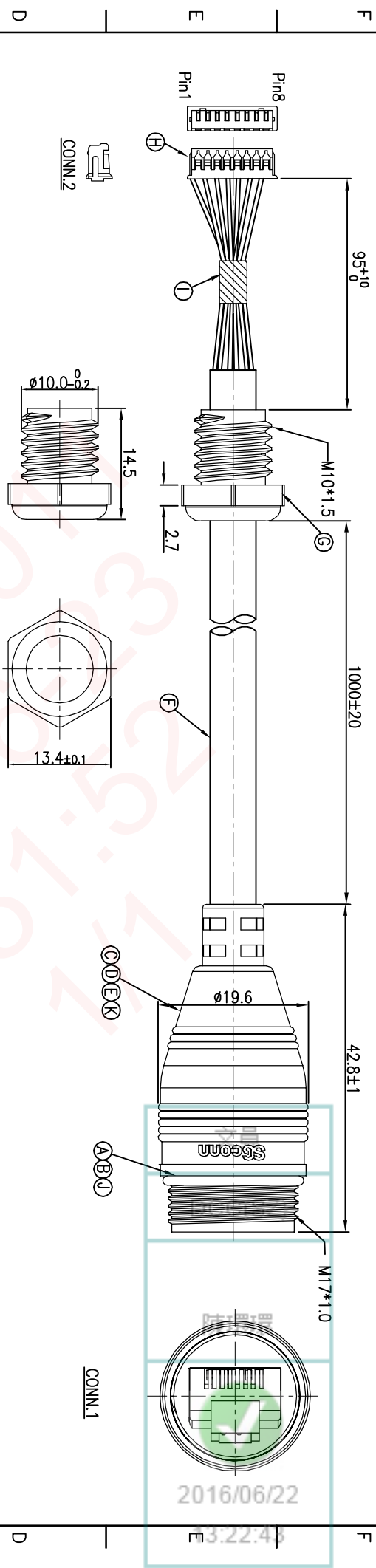
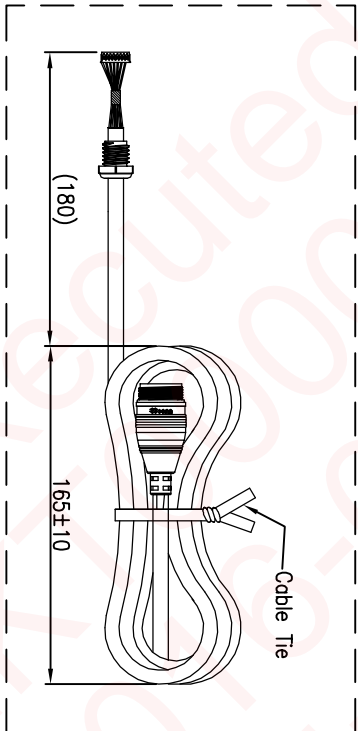


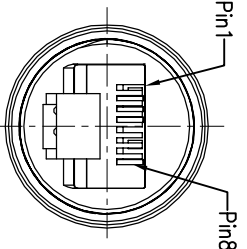
REV.	ECN NO.	OR DESCRIPTION	REVISED	DATE
A	PDR NO:JT131106-3B	Horten		2014.9.16
B	ECN NO.:S160629-C	Vicky		2016.06.02



1	BROWN	8	
2	BROWN/WHITE	7	TWIST
3	GREEN	6	
4	BLUE/WHITE	5	TWIST
5	GREEN/WHITE	4	TWIST
6	ORANGE	3	
7	ORANGE/WHITE	2	TWIST
8	WIRE COLOR	1	



- NOTES:
1. WATERPROOF RATE: IP67
IP67: IMMERSED IN 1M WATER FOR 30 MINUTES
 2. ELECTRICAL CHARACTERISTICS:
2-1. RATING:125V 1.5A
2-2. CONTACT RESISTANCE: 3 ohm MAX.
2-3. DIELECTRIC WITHSTANDING VOLTAGE: 750V AC FOR ONE MINUTE
2-4. INSULATION RESISTANCE: 30M ohm MIN. MEASURED BY 300 VDC
 3. OTHER GENERAL SPEC. TO REFER "RJ45 SERIES SPEC".
 4. TO CONFORM TO SINGATRON HAZARDOUS SUBSTANCE FREE SPEC.
 5. GREEN PRODUCT IDENTIFICATION LABEL ON PACKAGING:



PIN ASSIGNMENTS
FRONT VIEW

NO	DESCRIPTION	QTY	MATERIAL	PLATING & COLOR
K	LIQUID GLUE	1	N/A	BLACK
J	O-RING	1	SILICONE	BLACK
I	HEAT SHRINK TUBE	1	Ø4.0 300V	BLACK
H	CONNECTOR	8	Phosphor Bronze	TIN PLATED
G	SR	1	NYLON 66 PH1.25	WHITE
F	CABEL	1	ABS	BLACK
E	OVER MOLD	1	JL2835 4P*26AWG+AL+D HB CAT.5E Ø6.0 UV	BLACK(PVC JACKET)
D	INNER MOLD	1	TPU	BLACK
C	UV GLUE	1	PVC	BLACK
B	RJ45+PCB	1	N/A	WHITE
A	HOUSING	1	N/A	N/A
NO	DESCRIPTION	1	PC	BLACK

UNLESS OTHERWISE SPECIFIED TOLERANCES

DECIMALS: ANGLES:

X :±0.5 X :±2
X.X :±0.3 X.X :±1'
X.XX :±0.2

Singatron Enterprise Co., Ltd.
信亨企業股份有限公司

TITLE WATERPROOF RJ45 JACK,PVC CABLE
DWG Vicky PART NO.2713005-W05106H
CHKD Horten SCALE 2:1 UNIT: mm
APVD Steve SIZE: A3 SHEET:1 OF 1 REV: B

CUSTOMER COPY